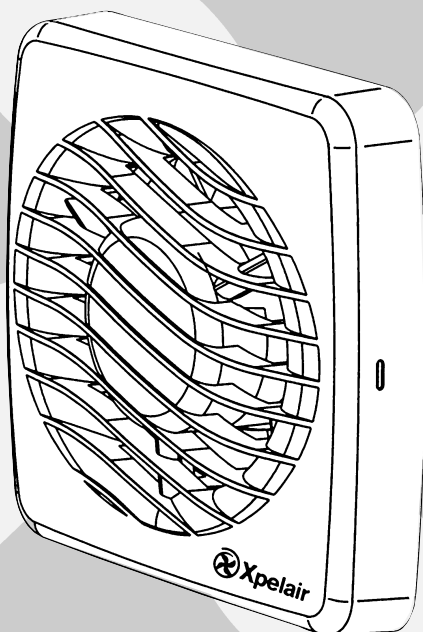


Installation and maintenance instructions

DX100	Standard
DX100PC	Pull Cord
DX100T	Timer
DX100H	Humidistat
DX100HP	Humidistat and Pull Cord
DX100PIR	Integral Body Movement Sensor
DX100VTD	Delay Timer

Toilet/Bathroom 100mm/4" Fan Range

Retain for future reference



 **Xpelair**[®]

GB

F

D

NL

I

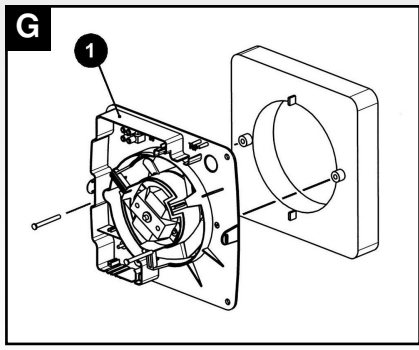
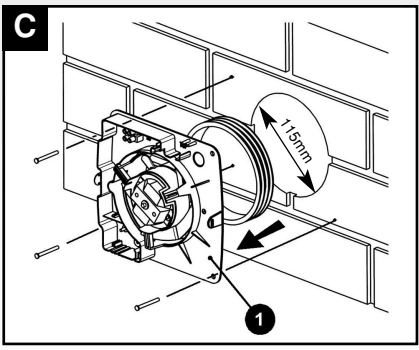
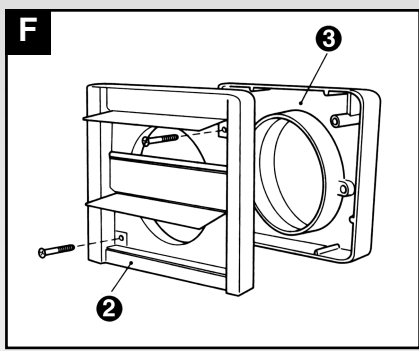
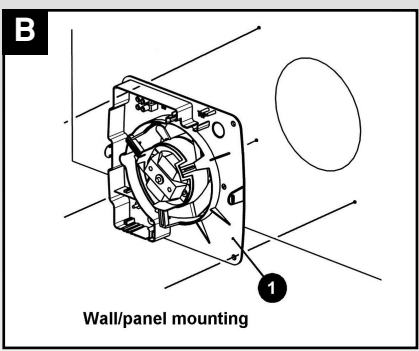
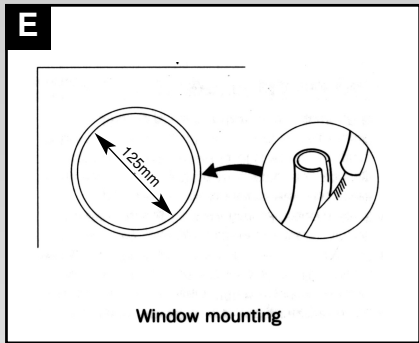
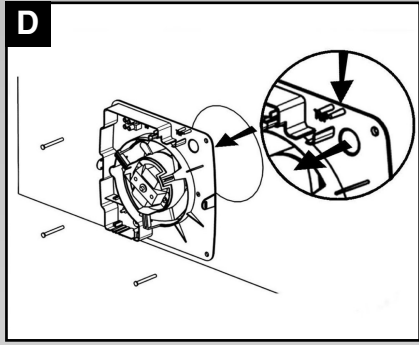
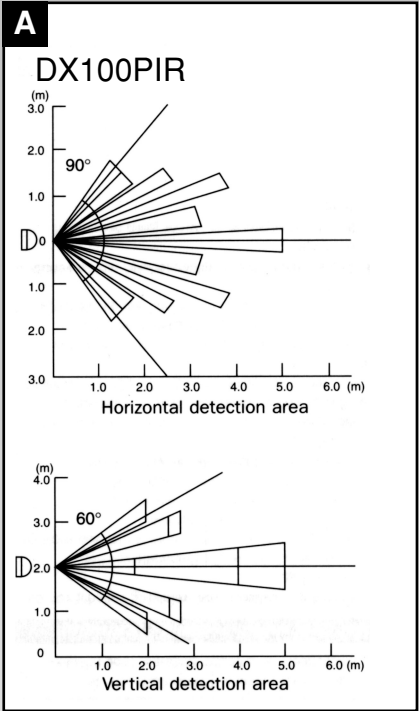
S

GR

N

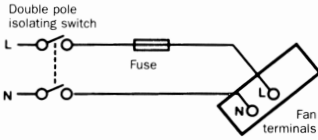
SE

A

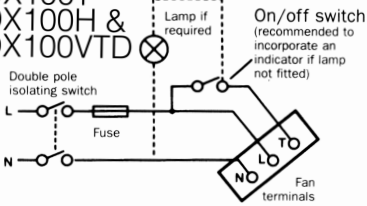


H

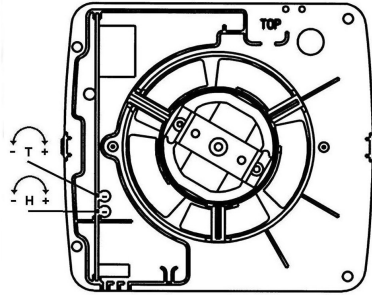
DX100, DX100PC, DX100HP & DX100PIR



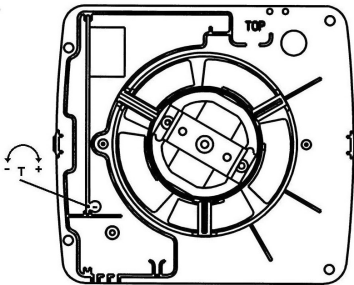
DX100T DX100H & DX100VTD

**J**

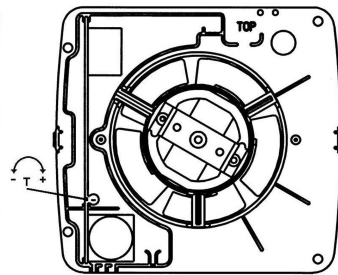
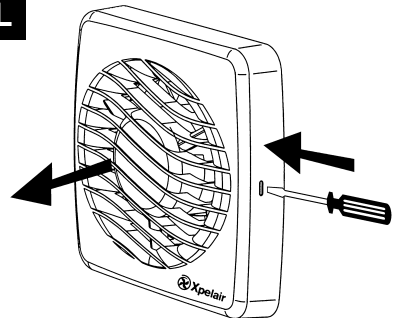
DX100H & DX100HP

**I**

DX100T

**K**

DX100PIR

**L**

*Xpelair
Toilet/Bathroom
Fans DX100,
DX100PC, DX100T,
DX100H, DX100HP
DX100PIR &
DX100VTD
installation &
operating
instructions*

Please leave this leaflet with the fan for the benefit of the user

Installing the fan

These appliances are intended for connection to fixed wiring. Check that the electrical rating shown on each fan matches the mains supply.

THESE APPLIANCES ARE DOUBLE INSULATED AND DO NOT REQUIRE AN EARTH CONNECTION.

All installations must be supervised by a qualified electrician. Installations and wiring must conform to current IEE Regulations (UK), local or appropriate regulations (other countries).

If you have any queries before installing these products or after they have been installed, call the Xpelair Technical Hotline +44 (0) 8709 000430. Our engineers are there to help you during normal office hours (UK only) and may be faxed at all other times on +44 (0) 8709 000530.

Customers outside the UK should contact your local Xpelair distributor.

Description

Xpelair fans have the following features:

- Universal mounting kit allows window/ wall panel/ ventilation shaft/ ceiling mounting options.
- Single speed extraction

DX100

- Operate the fan using an on/off switch (not supplied).

DX100PC

- Operate the fan using integral pull cord.

DX100T

- Built-in timer automatically operates fan for a preset delay of up to 30 minutes.

DX100H

- Operates either when triggered automatically by the humidity sensor or when turned on at the on/off switch (light indicates when fan is operating in manual mode).

DX100HP

- Operates either when triggered automatically by the humidity sensor or when turned on using the integral pull cord switch (light indicates when fan is operating in manual mode). Built-in timer automatically operates fan for a preset delay of up to 20 minutes.

DX100PIR

- An integral body movement sensor operates the fan as long as movement is detected. Built-in timer automatically operates fan for a preset delay of up to 20 minutes.

DX100VTD

- Operate the fan using the on/off switch (not supplied). The fan will not start for approximately 2.5 minutes (+/- 27%). After this time, the fan will operate. When the fan is switched off, it will continue to operate for approximately 7.5 minutes (+/- 27%).

What the installer will need

- A double pole isolating switch with a minimum contact gap of 3mm (wall or ceiling mounted).
- If metal switch boxes are used, earthing regulations must be followed.
- Suitably rated 2-core cable (DX100, DX100PC, DX100HP and DX100PIR).
- Suitably rated 3-core cable (DX100T, DX100H and DX100VTD).
- 3mm electrician's screwdriver and no.1 or 2 Pozdriv screwdrivers.
- A wall or ceiling on/off switch with built-in indicator light (DX100, DX100T, and DX100VTD).
- To prevent a possible hazardous situation from water ingress, a condensation trap (Xpelair no. XCT100) must be fitted as close as possible to the fan in all situations where any section of the duct work is positioned higher than the fan itself.

If wall mounting the fan, you will also need

- Masonry drill, hammer & chisel (or core drill equipment if available).
- Mortar to make good the hole if required.

If window mounting the fan

- You will need a window pane between 3mm and 6mm thick (preferably 4mm).
- Do not install in glass 3mm thick if the window pane area is more than 0.2sq.m.
- If installing in sealed double glazing, a specially manufactured unit should be obtained from the glazing manufacturer. You will also require a special kit, Xpelair Cat. ref. DXDG.
- If installing in sash windows, you should mount the fan in the upper window. Secure the upper sash in the closed position and fit stops just below the level of the fan, to prevent damaging it when the sash is raised.
- If installing in a panel which is between 9mm and 46mm thick, you will need a special kit, Xpelair Cat. ref. DXDG. Do not install these fans in a panel which is more than 46mm thick.

If ceiling mounting the fan

You will need to use the appropriate ancillaries for termination. These items are available from Xpelair.

1. WT10 - Termination ducting kit.
2. CFWG100 - Soffit board termination grille (white or brown).
3. FD100 / 3 and FD100 / 6 - Flexible ducting.

Where to locate the fan

- Locate it as high as possible.
- At least 110mm from the edges of the mounting surface to the centre of the hole.
- As far away as possible from and opposite to the main source of air replacement to ensure

airflow across the room (e.g. opposite the internal doorway).

- Near the source of steam or odours.
- **Not where ambient temperatures are likely to exceed 50°C.**
- **If installed in a kitchen fans must not be mounted immediately above a cooker hob, or eye level grill.**
- **If installing in a room containing a fuel burning device which has a non-balanced flue, it is the installer's responsibility to ensure that there is enough replacement air to prevent fumes being drawn down the flue when the fan is operating up to maximum extract. Refer to Building Regulations for specific requirements.**
- Exhaust air must not be discharged into a flue used for exhausting of fumes from appliances supplied with energy other than electric. Requirements of all authorities concerned must be observed for exhaust air discharge and intake flow rates.
- When intended for use in possible chemical corrosive atmospheres, consult out Technical Service Department. (For overseas markets contact your local Xpelair distributor).
- DX100PIR Only - Siting must ensure detection of movement. Care should be taken to avoid obstruction that may affect detection beams **A**.

Installing the isolating switch and cables

1. Check that the electrical rating shown inside the back plate matches your mains supply.
2. Check there are no buried pipes or cables e.g. electricity, gas, water behind the switch location (in the wall or above the ceiling). If in doubt, seek professional advice.
3. Isolate the mains supply.
4. Lay in the cable from the isolating switch to the fan location via the on/off switch (if required).
5. Lay in the cable from the isolating switch to the point of connection to the mains supply.
6. Install the isolating switch and on/off switch (if required).
7. Make all connections within the isolating switch and the on/off switch (if required).

Note: on/off switch must be situated so that it cannot be touched by persons making use of the bath or shower.

WARNING : DO NOT MAKE ANY CONNECTIONS TO THE ELECTRICAL SUPPLY AT THIS STAGE.

For Australia only (DX100, DX100PC, DX100HP & DX100PIR)

Connection to the supply can be made by a

flexible 2-core cable complete with 3 pin plug for insertion into an approved 10 amp GPO or directly wired through an approved 10A wall-mounted surface switch with at least 3mm clearance between contacts.

For Australia only (DX100T, DX100H & DX100VTD)

These models are permanently connected to the supply and operation is controlled by a remote switch. They should be directly wired to the supply through an approved 10amp wall mounted surface switch with at least 3mm clearance between contacts.

WARNING : CHILDREN SHOULD NOT PLAY WITH THE APPLIANCE AND ENSURE THAT YOUNG CHILDREN AND THE INFIRM ARE SUPERVISED

Preparing the hole

If working above ground floor level, appropriate safety precautions must be observed.

WARNING: EYE PROTECTION MUST BE WORN DURING ALL DRILLING AND CHISELLING OPERATIONS.

If installing in a wall

1. Check there are no buried pipes or cables in the wall or obstructions on the outside e.g. electricity, gas, water. If in doubt, seek professional advice.
2. Mark on the wall the centre of the duct hole.
3. Use this centre to mark a circle to suit the wall duct (115mm diameter).

If core drill equipment is available:

- 4a. Use as directed by core drill manufacturer.

If core drill equipment is not available:

- 4b. Drill a centre hole right through the wall.
5. Cut the hole. Do not cut right through the wall. (The recommended method is to drill a series of holes, close together, around the edge of the cutting line and remove the brick between the holes with a chisel).
6. Go outside and cut a hole in the outer wall, repeating the process described above.
7. Cut ducting to the correct length if required. The wall tube supplied is telescopic and can extend to 300mm maximum.
8. Fit the ducting. Ensure that the duct slopes down away from the fan to allow drainage of any incoming rain water to the outside.
9. Make good the hole. Allow the mortar to set before continuing the fan installation.

If installing in a window or panel

1. Cut a hole, 125mm in diameter or if installing in a window, obtain a ready cut pane.
2. The centre of the hole should be at least 110mm away from the edge of the panel or pane of glass.

If installing in a ventilation shaft

1. Check there are no buried pipes or cables in the ventilation shaft. If in doubt, seek professional advice.
2. Cut a hole 110mm in diameter, in the side of the shaft.

*Xpelair
Toilet/Bathroom
Fans DX100,
DX100PC, DX100T,
DX100H, DX100HP
DX100PIR &
DX100VTD
installation &
operating
instructions*

Please leave this leaflet with the fan for the benefit of the user

3. If the shaft has cavity wall, use the wall tube to bridge the cavity.
4. Fit ducting and condensation trap if necessary, positioning condensation trap as near to the fan as possible.

If installing in a ceiling

1. **Check there are no buried pipes or cables in the ceiling/joists etc. If in doubt, seek professional advise.**
2. Cut a hole 115mm diameter.

Preparing the fan for installation

Remove the front cover by pressing the release catches located on the sides of the unit with a 3mm screwdriver, whilst pulling the front cover forward **L**

Mount the fan in the hole

If working above ground floor level, appropriate safety precautions must be observed.

If installing in a wall, ceiling or vent

Mark the position of the back plate **B**

1. Hold the backplate so that the terminal block faces you in the top left hand corner and the lip points towards the hole.
2. Carefully insert the lip into the wall duct/ceiling or vent shaft.
3. Adjust the position of the back plate until it is level.
4. Mark on the wall/ceiling or vent shaft the positions of the three fixing holes in the back plate.
5. Remove the back plate from the ducting.
6. Drill screw holes in these positions if necessary, and fit wall plugs if necessary.

Mount the back plate **C**

1. Push the ribbed gasket (RG100) onto the lip of the back plate **1**
2. **If installing in a ceiling or vent**, push the larger diameter piece of the telescopic wall tube onto the ribbed gasket. Cut the tube to the required length first, if necessary.
3. *If wiring the fan from behind, remove knockout. Feed the mains cable through the cable entry hole in the back plate to the terminals **D***
4. *If wiring from above, leave the cable free to be fitted into labyrinth.*
5. Insert the lip of the back plate into the wall duct/ceiling or vent shaft as before.
6. Fasten the back plate to the wall/ceiling or vent shaft using appropriate fasteners. If using screws, **do not overtighten the screws.**

Mount the back draught shutter

1. Peel the backing from the foam strip supplied and attach it around the outside of the lip on the back draught shutter.
2. Go outside. Holding open the top and bottom vanes, insert the lip into the wall duct.

3. Making sure that the back draught shutter is level, mark the positions of the two fixing holes in the top right hand and bottom left hand corners.
4. Remove the back draught from the wall duct.
5. Drill screw holes in these positions, and fit the remaining wall plugs.
6. Holding open the top and bottom vanes, fit the back draught shutter and fasten it to the wall using the pointed and self-tapping screws. **Do not over tighten screws.**
7. Make sure that the vanes open and shut freely.

If installing in window or panel

Sealing the hole **E**

1. If installing in a window or panel no more than 9mm thick, fit the white rubber gasket around the edge of the hole. If installing in a panel or sealed double glazing more than 9mm thick, a DXDG double glazing kit is required. Follow the instructions supplied with the special kit.

Attach the back draught shutter to the spacer **F**

1. Holding the top and bottom vanes, insert the back draught shutter **2** into the spacer **3** so that the fixing holes in the top right and bottom left hand corners match those on the spacer.
2. Insert two of the flat ended self-tapping screws provided and fasten the back draught shutter to the spacer.

Mount the fan in the window **G**

1. Someone else must hold the back draught shutter and spacer in position outside, with the spacer against the glass.
2. Make sure that the two raised fixing holes in the spacer are horizontal and are positioned within the hole.
3. From inside, hold the back plate so that the terminal block faces you in the top left hand corner and the lip points towards that hole.
4. Align the holes in the back plate with those in the spacer.
5. Insert two of the flat ended self-tapping screws provided in the fixing holes, and fasten the back plate to the spacer. **Do not overtighten the screws.**

Wire the electrical connections

- **Make sure the mains supply is isolated,**
1. Wire the fan as shown in **H** check the fan model to diagram, feeding the cable between the two raised pegs, if wiring from above, and through labyrinth to terminal block.
 2. **Switch off the mains electrical supply and remove fuses**
 3. Connect the cable from the isolating switch to the electrical supply wiring.
- **For fixed wiring circuits the protective**

fuse for the appliance must not exceed 5A.

DX100T only **L**

- To adjust the over-run period turn the control (T) clockwise to increase and anti-clockwise to decrease.

DX100H & DX100HP only **J**

- Humidity operation is factory set at approx. 70% Relative Humidity (RH), but can be adjusted between 50% and 90% RH by control(H).
- Time delay is factory set at approx. 20 mins, but can be adjusted by control (T).
- Both controls are adjustable. Turn the controls clockwise to increase time or RH, and anti-clockwise to decrease.

DX100PIR only **K**

- Adjust the overrun period with control (T). Turn screwdriver clockwise to increase and anti-clockwise to decrease.

All fans

- If wiring from above cut out the cable entry slot marked on top of the front cover.
- Fit the front cover by aligning it square to the duct and pushing it onto the duct until the release catches snap into the slots on the front cover.

Using the fan

DX100 & DX100VTD only

- Operate the fan using the on/off switch. Repeat to switch off.

DX100PC only

- Operate the fan by pulling and releasing the cord. Repeat to switch off.

DX100T only

- Operate the fan using the on/off switch. When the switch is turned off, the fan continues to operate for the adjustable time delay.

DX100H only

- **Manual mode:** use the on/off switch. When you switch off, the fan goes into automatic mode after the time delay (light indicates when fan is operating in manual mode).
- **Automatic mode:** fan operates when relative humidity rises and turns off again when humidity drops.

DX100PIR only

- The sensor detects movement in the room and activates the fan. When movement is sensed, the fan will run for a pre-set overrun period and any further movement sensed will re-start the sequence. This ensures that the room is only ventilated during and immediately after use. **When the fan is first installed there will be a stabilising period of approximately five minutes. During this time the fan will run for up to two minutes.**

Cleaning (recommended once a month)

A QUALIFIED ELECTRICIAN MUST CARRY OUT ALL CLEANING.

1. Before cleaning, isolate the fan completely from the mains supply.
2. Remove the front cover by pressing the release catches located on the sides at the unit with a 3mm screwdriver, whilst pulling the front cover forward **L**.
3. To clean the front cover, either wipe it with a damp, lint free cloth or wash it in warm soapy water. Thoroughly dry the front cover and refit.
4. Do not immerse the fan in water or other liquids to clean any other parts of the fan.
5. Never use strong solvents to clean the fan.
6. Apart from cleaning, no other maintenance is required.

Ventilateurs Xpelair pour W.C./Salle de bains

DX100, DX100PC, DX100T, DX100H, DX100HP, DX100PIR et DX100VTD
Notice d'installation et d'entretien

Prière de conserver cette notice avec le ventilateur, pour que l'utilisateur puisse s'y référer ultérieurement.

Installation du ventilateur

Cet appareil doit être raccordé à des câbles électriques fixes. Vérifier que la tension nominale indiquée sur l'appareil correspond à celle de l'alimentation secteur.

CES APPAREILS AYANT UNE DOUBLE ISOLATION, IL EST INUTILE DE LES METTRE A LA MASSE

Toutes les installations doivent être effectuées sous la supervision d'un Électricien qualifié. L'installation et le câblage électrique doivent être conformes aux règlements IEE en vigueur (G.B.), aux règlements municipaux ou aux règlements applicables (autres pays).

Pour toutes questions éventuelles avant ou après l'installation de ce produit, prière d'appeler la ligne Assistance Technique Xpelair au n° + 44 (0) 87 09 00 04 30. Nos techniciens sont à votre disposition pour vous aider pendant les heures ouvrables (G.B. seulement), ou les envoyer par fax en dehors des heures ouvrables au n° + 44 (0) 87 09 00 05 30.

Pour les clients en dehors de la G.B., prière de contacter le revendeur Xpelair de votre région.

Description

Les ventilateurs Xpelair présentent les caractéristiques suivantes :

- Grâce au kit de montage universel, il est possible d'obtenir un montage sur vitre/mur/panneau/conduit de ventilation/plafond.
- Extraction à une vitesse.

DX100

- Fonctionnement du ventilateur à l'aide de l'interrupteur Marche/Arrêt (non fourni).

DX100PC

- Fonctionnement du ventilateur à l'aide de l'interrupteur à cordon incorporé.

DX100T

- Le temporisateur incorporé fait automatiquement fonctionner le ventilateur pendant un délai prédéterminé (jusqu'à 30 minutes).

DX100H

- Fonctionne lorsqu'il est déclenché automatiquement par le détecteur d'humidité, ou lorsqu'il est mis en marche par l'interrupteur Marche/Arrêt (le voyant indique que le ventilateur fonctionne en mode manuel).

DX100HP

- Fonctionne lorsqu'il est déclenché automatiquement par le détecteur d'humidité, ou lorsqu'il est mis en marche à l'aide de l'interrupteur à cordon (le voyant indique que le ventilateur fonctionne en mode manuel). Le temporisateur incorporé fait automatiquement fonctionner le ventilateur pendant un délai prédéterminé (jusqu'à 20 minutes).

DX100PIR

- Le détecteur de mouvement incorporé fait fonctionner le ventilateur tant qu'un mouvement est détecté. Le temporisateur incorporé fait automatiquement fonctionner le ventilateur pendant un délai prédéterminé (jusqu'à 20 minutes).

DX100VTD

- Il fait fonctionner le ventilateur à l'aide de l'interrupteur Marche/Arrêt (non fourni). Il y a un délai d'environ 2,5 minutes ($\pm 27\%$) avant que le ventilateur ne se mette en marche. Après ce délai, le ventilateur fonctionne. Après avoir coupé le ventilateur, il continue de tourner pendant environ 7,5 minutes ($\pm 27\%$).

Outils nécessaires pour l'installateur

- Bouton-sectionneur bipolaire avec un espace de contact minimum de 3 mm (Montage sur mur ou plafond).
- Si on utilise des boîtiers métalliques pour interrupteurs, il est impératif de respecter les règlements concernant la mise à la masse.
- Câble à 2 conducteurs convenant à la tension nominale (DX100, DX100PC, DX100HP et DX100PIR).
- Câble à 3 conducteurs convenant à la tension nominale (DX100T, DX100H et DX100VTD).
- Tournevis d'électricien à lame de 3 mm et tournevis Pozidriv n° 1 et 2.
- Interrupteur Marche/Arrêt pour montage sur mur ou plafond avec voyant incorporé (DX100, DX100T et DX100VTD).
- Pour éviter tout danger éventuel d' à l'infiltration d'eau, il faut installer un piège de condensation (Xpelair n° XCT100) aussi près que possible du ventilateur, dans toutes les installations où une partie des conduits est placée à une position supérieure au ventilateur.

Pour monter le ventilateur dans un mur, il faut également prévoir

- Foret pour béton, marteau et burin (ou équipement de perçage si disponible).
- Mortier (pour colmater la zone autour du trou).

Pour monter le ventilateur dans une vitre

- Vitre de 3 à 6 mm d'épaisseur (de préférence, 4 mm)
- Ne pas installer le ventilateur dans une vitre de 3 mm d'épaisseur si la superficie de la vitre est supérieure à 0,2 m².
- Pour installer le ventilateur dans un double vitrage hermétique, il faut se procurer une unité fabriquée spécialement auprès du fabricant du vitrage., Il faut aussi se procurer le kit spécial Xpelair, réf. DXDG.
- Pour les vitres à guillotine, le ventilateur doit être installé dans la vitre supérieure. Fixer la partie supérieure de la fenêtre en position fermée, puis fixer des butées juste au-dessous du niveau du ventilateur afin d'éviter de l'endommager si la partie inférieure de la fenêtre à guillotine est remontée.

- Pour installer le ventilateur dans un panneau de 9 à 46 mm d'épaisseur, il faut se procurer un kit spécial Xpelair réf. DXDG. Ne pas installer ces ventilateurs dans des panneaux ayant une épaisseur supérieure à 46 mm.

Pour monter le ventilateur au plafond

Il faut utiliser les accessoires appropriés pour la finition de l'installation. Ces accessoires sont disponibles auprès de Xpelair.

1. WT10 : kit de conduits de finition..
2. CFWG100 : Grille de finition de plafond (blanc ou marron).
3. FD100 / 3 et FD100 / 6 : conduits flexibles.

Choix de l'emplacement du ventilateur

- Le placer aussi haut que possible.
- A une distance d'au moins 110 mm entre les bords de la surface de montage et le centre du trou.
- Aussi loin que possible et en face de la source principale du flux d'air afin d'obtenir la circulation de l'air dans la pièce (ex. en face d'une porte interne).
- Près de la source de vapeur ou d'odeurs.
- **Ne pas l'installer dans un local où les températures ambiantes sont susceptibles d'être supérieures à 50°C.**
- Si le ventilateur est installé dans une cuisine, il ne faut pas le placer juste au-dessus de la plaque de cuisson ou d'un gril à hauteur des yeux.
- Pour l'installer dans une pièce contenant un appareil de chauffage au mazout disposant d'un conduit d'évacuation non équilibré, il incombe aux installateurs de vérifier qu'il existe une circulation d'air suffisante pour empêcher l'aspiration des fumées dans le conduit lorsque le ventilateur fonctionne à son débit d'extraction maximum.
Pour les conditions spécifiques, se référer aux règlements sur la construction.
- Il ne faut pas décharger l'air de refoulement dans un conduit d'évacuation prévu pour expulser les fumées provenant d'appareils qui ne sont pas alimentés à l'électricité. Il est impératif de respecter les conditions concernant les débits de flux d'admission et de décharge requises par tous les organismes compétents de réglementation.
- Si le ventilateur doit fonctionner éventuellement dans une atmosphère chimique corrosive, consulter nos services techniques. (Pour les marchés de l'étranger, prière de contacter le distributeur Xpelair local).
- DX100PIR seulement : L'emplacement doit être choisi afin de pouvoir détecter tout

mouvement. Prendre soin d'éviter toute obstruction susceptible d'affecter les faisceaux de détection A .

Installation du bouton-sectionneur et des câbles

1. Vérifier que la tension nominale indiquée sur la plaque correspond à la tension secteur.
2. Vérifier qu'il n'y a pas de tuyaux ou de câbles dissimulés sous la surface (ex. électricité, gaz, eau) derrière l'emplacement du bouton (dans le mur ou au-dessus du plafond). En cas de doute, consulter un professionnel qui vous conseillera.
3. Isoler l'alimentation électrique secteur.
4. Poser le câble entre le bouton-sectionneur et l'emplacement du ventilateur en passant par l'interrupteur Marche/Arrêt (si besoin est)
5. Poser le c,ble entre le bouton-sectionneur et le point de raccordement à l'alimentation secteur.
6. Installer le bouton-sectionneur et l'interrupteur Marche/Arrêt (si besoin est).
7. Faire tous les raccordements dans le bouton-sectionneur et l'interrupteur Marche/Arrêt (si besoin est).

Remarque : Il faut placer l'interrupteur Marche/Arrêt de manière à être hors de portée des personnes utilisant la baignoire ou la douche.

AVERTISSEMENT : NE PAS FAIRE DE RACCORDEMENTS A L'ALIMENTATION ELECTRIQUE POUR L'INSTANT.

Pour l'Australie seulement (DX100, DX100PC, DX100HP et DX100PIR)

Le raccordement à l'alimentation électrique peut se faire à l'aide d'un c,ble flexible à 2 conducteurs muni d'une prise à 3 broches afin de la brancher dans un bouton mural GPO 10 A ou de la relier directement à l'alimentation électrique par un bouton mural agréé de 10 A avec un espace d'au moins 3 mm entre les contacts.

Pour l'Australie seulement (DX100T, DX100H et DX100VTD)

Ces modèles sont reliés en permanence à l'alimentation secteur. Leur commande doit se faire par interrupteur à distance. Il faut les relier directement à l'alimentation électrique par un bouton mural agréé de 10 A avec un espace d'au moins 3 mm entre les contacts.

AVERTISSEMENT : LES ENFANTS NE DOIVENT PAS JOUER AVEC CES APPAREILS. IL FAUT TOUJOURS SURVEILLER LES ENFANTS ET LES HANDICAPES.

Préparation du trou

Pour les travaux au-dessus du niveau du sol, il faut toujours respecter les consignes de sécurité appropriées.

AVERTISSEMENT : IL FAUT TOUJOURS PORTER DES LUNETTES DE PROTECTION PENDANT TOUTES LES OPERATIONS A LA PERCEUSE ET AU BURIN.

Pour un montage mural

1. Vérifier qu'il n'y a pas de tuyaux ou de câbles dissimulés dans le mur, ni d'obstructions à l'extérieur (ex. électricité,

Ventilateurs Xpelair pour W.C./Salle de bains

DX100, DX100PC,
DX100T, DX100H,
DX100HP, DX100PIR
et DX100VTD

Notice d'installation et d'entretien

Prière de conserver
cette notice avec le
ventilateur, pour que
l'utilisateur puisse s'y
référer ultérieurement.

gaz, eau). En cas de doute, consulter un professionnel qui vous conseillera.

2. Faire un repère sur le mur correspondant au centre du trou du conduit.
3. Utiliser ce repère pour tracer un cercle correspondant à la gaine murale (diamètre de 115 mm).

Si vous disposez d'une perceuse électrique :

4a. L'utiliser conformément aux instructions du fabricant de la perceuse.

Si vous ne disposez pas d'une perceuse électrique :

- 4b. Percer le centre du trou dans le mur.
5. Découper le trou. Ne pas traverser le mur. (La méthode de perçage recommandée consiste à percer plusieurs trous, proches les uns des autres, près de la ligne de découpe, puis utiliser un burin pour retirer la brique qui se trouve entre les trous).
6. Passer à l'extérieur et découper un trou dans le mur extérieur en recommençant l'opération indiquée ci-dessus.
7. Couper la gaine à la longueur correcte, le cas échéant. Le tube mural fourni est escamotable et peut se déployer sur 300 mm maximum.
8. Poser la gaine. Vérifier que la gaine est inclinée vers le bas à partir du ventilateur afin que l'eau de pluie puisse s'écouler à l'extérieur.
9. Colmater la zone autour du trou. Attendre que le mortier durcisse avant de procéder à l'installation du ventilateur.

Pour le montage dans une vitre ou dans un panneau

1. Découper un trou de 125 mm de diamètre. Pour le montage dans une fenêtre, se procurer une vitre déjà découpée.
2. Le centre du trou doit se trouver à au moins 110 mm du bord du panneau ou du bord de la vitre.

Pour le montage dans un puits de ventilation

1. **Vérifier qu'il n'y a pas de tuyaux ou de câbles dissimulés dans le puits de ventilation. En cas de doute, consulter un professionnel qui vous conseillera.**
2. Découper un trou de 110 mm de diamètre dans la paroi du puits.
3. Si le puits comporte une paroi à cavité, utiliser le tube mural pour traverser la cavité.
4. Monter la gaine et le piège de condensation, le cas échéant, en le plaçant aussi près que possible du ventilateur.

Pour le montage dans le plafond

1. **Vérifier qu'il n'y a pas de tuyaux ou de câbles dissimulés dans le plafond/les solives, etc. En cas de doute, consulter un professionnel qui vous conseillera.**
2. Découper un trou de 115 mm de diamètre.

Préparation du ventilateur pour le montage

Retirer le couvercle avant. Pour cela, utiliser un tournevis de 3 mm pour appuyer sur les agrafes situées sur les côtés de l'appareil, tout en tirant le couvercle vers l'avant **L**.

Montage du ventilateur dans le trou

Si le travail doit être effectué au-dessus du sol, respecter les précautions de sécurité appropriées.

Montage dans un mur, un plafond ou un puits de ventilation

Faire un repère de la position sur la plaque de support **B**

1. Tenir la plaque de support de manière à ce que le bloc de bornes soit orienté vers vous, dans le coin en haut et à gauche, et que la lèvre soit dirigée vers le trou.
2. Présenter la lèvre avec précaution dans la gaine murale, le plafond ou le puits de ventilation.
3. Ajuster la position de la plaque de support jusqu'à ce qu'elle soit à niveau.
4. Marquer les positions des trois trous de fixation dans la plaque de support dans le mur/plafond/puits de ventilation.
5. Retirer la plaque de support de la gaine.
6. Percer les trous aux positions prévues, le cas échéant, et poser des chevilles, si besoin est.

Montage de plaque de support **C**

1. Plaquer le joint à nervures (RG100) sur la lèvre de la plaque de support **1**.
2. **Pour le montage dans le plafond ou dans un puits de ventilation**, pousser le morceau du tube mural escamotable de gros diamètre sur le joint à nervures. Couper tout d'abord le tube à la longueur requise, si besoin est.
3. **Si le raccordement électrique du ventilateur se fait de l'arrière, retirer l'obturateur. Faire passer le câble secteur par le trou prévu dans la plaque de support et l'amener aux bornes **D**.**
4. **Si le raccordement électrique se fait du dessus, ne pas fixer le câble afin de pouvoir le monter dans le labyrinthe.**
5. Introduire la lèvre de la plaque de support dans la gaine du mur/plafond ou dans le puits de ventilation, comme indiqué précédemment.
6. Utiliser les fixations appropriées pour fixer la plaque de support sur le mur/plafond ou le puits de ventilation. Si on utilise des vis, **ne pas trop les serrer.**

Montage du volet anti-refouleur

1. Détacher la bande adhésive de la bande en mousse fournie, puis le fixer sur l'extérieur de la lèvre du volet anti-refouleur.
2. Passer à l'extérieur. Introduire la lèvre dans la gaine murale tout en maintenant ouvertes les vannes du haut et du bas.
3. Vérifier que le volet anti-refouleur est à l'horizontale, puis marquer les positions des

deux trous de fixation dans le coin en haut à droite et dans le coin en bas à gauche.

- Retirer le conduit de refoulement de la gaine murale.
- Percer des trous dans ces emplacements, puis poser les autres chevilles murales.
- Tout en maintenant les vannes du haut et du bas ouvertes, reposer le volet anti-refouleur, puis le fixer au mur à l'aide des vis pointues autotaraudeuses. **Ne pas trop serrer les vis.**
- Vérifier que les vannes peuvent s'ouvrir et se fermer sans coincement.

Pour le montage dans une fenêtre ou un panneau

Etanchéisation du trou **E**

- Pour le montage dans une fenêtre ou un panneau dont l'épaisseur est inférieure à 9 mm, monter le joint blanc en caoutchouc sur le bord du trou. Pour le montage dans un panneau ou un double vitrage dont l'épaisseur est supérieure à 9 mm, il faut se procurer le kit pour double vitrage DXDG. Suivre la notice du fabricant fourni avec ce kit spécial.

Fixer le volet anti-refouleur dans l'entretoise **F**

- Tout en maintenant les vannes du haut et du bas, introduire le volet anti-refouleur **2** dans l'entretoise **3** de manière à ce que les trous de fixation dans le coin en haut à droite et le coin en bas à gauche correspondent aux trous prévus dans l'entretoise.
- Introduire deux des vis autotaraudeuses à extrémité plate fournies, et fixer le volet anti-refouleur sur l'entretoise.

Montage du ventilateur dans une fenêtre **G**

- Il faut qu'une deuxième personne maintienne en place à l'extérieur le volet anti-refouleur et l'entretoise, l'entretoise étant plaquée contre la vitre.
- Vérifier que les deux trous de fixation avec collerette en saillie prévus dans l'entretoise sont à l'horizontale et se trouvent à l'intérieur du trou principal.
- En travaillant de l'intérieur, tenir la plaque de support de manière à ce que le bloc de bornes soit orienté vers vous, dans le coin en haut et à gauche, et que la lèvres soit dirigée vers ce trou.
- Aligner les trous prévus dans la plaque de support avec ceux de l'entretoise.
- Introduire deux des vis autotaraudeuses à extrémité plate fournies dans les trous de fixation, et fixer le volet anti-refouleur sur l'entretoise. **Ne pas trop serrer les vis.**

Raccordement des connexions électriques

- Vérifier que l'alimentation électrique est isolée.**

- Effectuer le raccordement électrique du ventilateur comme indiqué à **H** et en vérifiant le modèle du ventilateur sur le schéma. Faire passer le câble entre les deux

tétons en saillie (pour un raccordement à partir du dessus), et à travers le labyrinthe jusqu'au bloc de bornes.

2. Couper l'alimentation électrique et retirer les fusibles.

- Raccorder le câble entre le sectionneur et le fil d'alimentation électrique.

- Pour les circuits électriques fixes, le fusible de protection de l'appareil doit avoir une intensité inférieure à 5 A.**

DX100T seulement **I**

- Pour régler le délai de continuation de fonctionnement, tourner le bouton (T) dans le sens des aiguilles d'une montre pour le prolonger et dans le sens contraire pour le raccourcir.

DX100H & DX100HP seulement **J**

- L'humidistat est réglé à l'usine pour un taux d'humidité relative (HR) de 70%, mais il peut être réglé entre 50% et 90% HR à l'aide du bouton (H).
- Le temporisateur est réglé à l'usine pour un délai d'environ 20 minutes, mais il peut être réglé à l'aide du bouton (T).
- Ces deux boutons sont réglables. Tourner les boutons dans le sens des aiguilles d'une montre pour augmenter le délai ou l'HR, et dans le sens contraire pour le diminuer.

DX100PIR only **K**

- Pour régler le délai de continuation de fonctionnement, tourner le bouton (T) dans le sens des aiguilles d'une montre pour le prolonger et dans le sens contraire pour le raccourcir.

Tous les ventilateurs

- Si le raccordement électrique est effectué par le haut, découper la fente prévue pour le câble marquée sur le dessus du couvercle avant.
- Poser le couvercle avant en l'alignant à l'équerre par rapport à la gaine, puis l'enfoncer dans la gaine jusqu'à ce que les agrafes s'encliquettent dans les fentes prévus sur le couvercle avant.

Utilisation du ventilateur

DX100 & DX100VTD seulement

- Pour mettre le ventilateur en marche ou à l'arrêt, utiliser l'interrupteur Marche/Arrêt.

DX100PC seulement

- Pour mettre le ventilateur en marche ou à l'arrêt, tirer puis relâcher le cordon. Recommencer pour le mettre à l'arrêt.

DX100T seulement

- Pour mettre le ventilateur en marche ou à l'arrêt, utiliser l'interrupteur Marche/Arrêt. Lorsque l'interrupteur est mis sur arrêt, le ventilateur continue de fonctionner pendant le délai prédéterminé réglable.

DX100H seulement

- Mode manuel** : utiliser l'interrupteur Marche/Arrêt. Lorsque l'interrupteur est mis sur arrêt, le ventilateur passe en mode

Ventilateurs Xpelair pour W.C./Salle de bains

DX100, DX100PC,
DX100T, DX100H,
DX100HP, DX100PIR
et DX100VTD

Notice d'installation et d'entretien

Prière de conserver
cette notice avec le
ventilateur, pour que
l'utilisateur puisse s'y
référer ultérieurement.

automatique après le délai de temporisation
(le voyant indique que le ventilateur
fonctionne en mode manuel).

- **Mode automatique** : le ventilateur
fonctionne lorsque le taux d'humidité relative
augmente. Il s'arrête de fonctionner lorsque
le taux d'humidité diminue.

DX100PIR seulement

- Le détecteur détecte tout mouvement dans la
pièce et déclenche le ventilateur. Après
détection d'un mouvement, le ventilateur
continue de fonctionner pendant un délai
prédéterminé. Tout autre mouvement détecté
enclenche à nouveau la séquence. Ainsi, la
pièce n'est ventilée que pendant et juste
après l'utilisation. Après le montage du
ventilateur pour la première fois dans la
pièce, il y aura un délai de stabilisation
d'environ cinq minutes. **Pendant cette
période, le ventilateur fonctionnera
continuellement pendant un délai allant
jusqu'à deux minutes.**

Nettoyage (recommandé une fois par mois)

UN ELECTRICIEN QUALIFIE DOIT EFFECTUER TOUTES LES OPERATIONS DE NETTOYAGE.

1. Avant de nettoyer le ventilateur, il faut
complètement l'isoler de l'alimentation
secteur.
2. Retirer le couvercle avant. Pour cela, utiliser
un tournevis de 3 mm pour appuyer sur les
agrafes situées sur les côtés de l'appareil,
tout en tirant le couvercle vers l'avant **▲**.
3. Pour nettoyer le couvercle avant, l'essuyer
avec un chiffon humide non pelucheux, ou le
laver dans une solution d'eau savonneuse.
Sécher soigneusement le couvercle avant,
puis le remonter.
4. Ne pas immerger le ventilateur dans de l'eau
ni d'autres liquides pour nettoyer les autres
parties du ventilateur.
5. Ne jamais utiliser de solvants forts pour
nettoyer le ventilateur.
6. A part le nettoyage, le ventilateur n'exige
aucun autre entretien.



Xpelair

Installations- und
Bedienungsanleitung
für die WC- und
Badezimmerlüfter,

Modelle DX100,
DX100PC, DX100T,
DX100H, DX100HP,
DX100PIR und
DX100VTD

Diese Anleitung zum
zukünftigen
Nachschlagen bitte stets
in der Nähe des Lüfters
aufbewahren.

Installation des Lüfters

Diese Geräte sind zum Anschluss an fest verlegte Kabel vorgesehen. Prüfen Sie, dass die am Gerät angegebene Nennspannung mit derjenigen der Spannungsversorgung übereinstimmt.

DIESE GERÄTE SIND DOPPELT ISOLIERT UND BRAUCHEN NICHT GEERDET ZU WERDEN.

Alle Installationsarbeiten sind von einem dafür ausgebildeten Elektriker auszuführen bzw. zu beaufsichtigen. Einbau und Kabel müssen den derzeit geltenden IEE-Vorschriften (Großbritannien) bzw. den regionalen und allen anderen Vorschriften (andere Länder) entsprechen.

Sollten Sie während oder nach der Installation dieser Produkte Fragen haben, wenden Sie sich bitte an die technische Hotline von Xpelair unter + 44 (0) 8709 000430. Unser technisches Personal steht Ihnen während der üblichen Büroöffnungszeiten gern zur Verfügung (gilt nur für Großbritannien), zu allen anderen Zeiten können Sie uns unter + 44 (0) 8709 000530 faxen.

Kunden außerhalb Großbritanniens wenden sich bitte an ihren zuständigen Xpelair Regionalvertreter.

Produktbeschreibung

Xpelair Lüfter zeichnen sich durch die folgenden Merkmale aus:

- Universal-Einbausatz zum Einbau in Fenster, Wand, Verkleidung, Entlüftungsschacht oder Decke
- Extraktion (Luftabsaugung) mit einer Geschwindigkeit

DX100

- Lüfterbedienung per Ein-/Ausschalter (gehört nicht zum Lieferumfang)

DX100PC

- Lüfterbedienung per integrierter Zugschnur

DX100T

- Integrierter Zeitgeber schaltet Lüfter automatisch nach einer zuvor eingestellten Verzögerungszeit von bis zu 30 Minuten ein

DX100H

- Wird entweder automatisch durch den Feuchtigkeitssensor oder per Ein-/Ausschalter eingeschaltet (eine Kontrolllampe zeigt an, wenn die manuelle Betriebsart eingestellt ist).

DX100HP

- Wird entweder automatisch durch den Feuchtigkeitssensor oder per integrierter Zugschnur eingeschaltet (eine Kontrolllampe zeigt an, wenn die manuelle Betriebsart eingestellt ist). Der integrierte Zeitgeber schaltet den Lüfter automatisch

nach einer zuvor eingestellten Verzögerungszeit von bis zu 20 Minuten ein.

DX100PIR

- Ein integrierter Bewegungssensor schaltet den Lüfter bei Feststellen einer Körperbewegung ein. Der integrierte Zeitgeber schaltet den Lüfter automatisch nach einer zuvor eingestellten Verzögerungszeit von bis zu 20 Minuten ein.

DX100VTD

- Lüfterbedienung per Ein-/Ausschalter (gehört nicht zum Lieferumfang). Der Lüfter startet hierbei erst nach ca. 2,5 Minuten ($\pm 27\%$). Nach dem Betätigen des Ausschalters schaltet sich der Lüfter erst nach ca. 7,5 Minuten ($\pm 27\%$) ab.

Was der Installateur benötigt

- Einen zweipoligen Trennschalter mit einem Kontaktabstand von mindestens 3 mm (wand- oder deckeninstalliert).
- Bei Verwendung von Schaltkästen aus Metall sind die entsprechenden Erdungsvorschriften zu befolgen.
- Zweiadriges Kabel entsprechender Bemessung (DX100, DX100PC, DX100HP und DX100PIR).
- Dreiadriges Kabel entsprechender Bemessung (DX100T, DX100H und DX100VTD).
- Einen Elektriker-Schraubenzieher mit einer 3-mm-Klinge, Pozidrive Schraubenzieher Nr. 1 und 2.
- Einen wand- oder deckenmontierten Ein-/Ausschalter mit integrierter Kontrollleuchte (DX100, DX100T und DX100VTD).
- Um eine mögliche Gefahrenquelle durch eindringendes Wasser zu verhindern, muss in allen Fällen, in denen ein Bereich des Abzugsrohres, das höher als der Lüfter angebracht ist, so dicht wie möglich am Lüfter eine Kühlfalle (Xpelair Bestell-Nr. XCT100) installiert werden.

Bei Wandmontage des Lüfters werden außerdem benötigt:

- Mauerbohrer, Hammer und Meißel (oder Kernbohrer, insofern verfügbar)
- Mörtel bzw. Spachtelmasse zum Verschließen des Lochs (insofern erforderlich)

Bei Fenstermontage des Lüfters:

- Eine Fensterscheibe, zwischen 3 mm und 6 mm dick (4 mm im Idealfall).
- Lüfter nicht in 3 mm dicke Fensterscheiben einbauen, wenn die Fläche der Scheibe größer als 0,2 Quadratmeter ist.
- Bei Einbau in eine Thermoscheibe ist beim Glashersteller eine Spezialscheibe zu bestellen. Außerdem ist der Xpelair Spezialsatz (Katalog-Bestellnummer DXDG) erforderlich.

- Bei Einbau in Fallfenster ist der Lüfter in das obere Fenster einzubauen. Hierzu oberes Fenster in der geschlossenen Stellung sichern und Anschläge direkt unterhalb des Lüfters anbringen, damit dieser beim Hochschieben des unteren Fensters nicht beschädigt wird.
- Bei Einbau in eine zwischen 9 mm und 46 mm dicke Glasscheibe ist der Xpelair Spezialsatz (Katalog-Bestellnummer DXDG) erforderlich. Lüfter nicht in Glasscheiben einbauen, die über 46 mm stark sind.

Bei Deckenmontage des Lüfters:

Hierzu sind die entsprechenden Zusatzgeräte zum Endanschluss erforderlich. Diese Artikel sind von Xpelair erhältlich.

1. Endanschluss-Abzugsrohrsatz WT10
2. Schaltungs-Endanschlussgrill CFWG100 (weiß oder braun)
3. Biegsame Abzugsrohre FD100/3 und FD100/6

Auswahl des Einbauortes für den Lüfter

- Lüfter so hoch wie möglich anbringen.
- Der Abstand von den Kanten der Einbaufäche zum Mittelpunkt der Bohrung muss mindestens 110 mm betragen.
- So weit wie möglich entfernt und gegenüber der Hauptquelle des Luftaustausches, um einen Luftstrom durch den Raum zu gewährleisten (z. B. gegenüber dem Inneneingang).
- In der Nähe von Dampf- oder Geruchsquellen.
- **Nicht dort, wo die Umgebungstemperaturen 50 °C überschreiten können.**
- Bei Einbau in einer Küche darf der Lüfter nicht unmittelbar über einem Herd oder einem in Augenhöhe angebrachten Grill installiert werden.
- Bei Installation in einem Raum, der einen Ölbrenner mit unausgeglichem Flammrohr enthält, hat der Installateur zu gewährleisten, dass ausreichend Austauschluft vorhanden ist, um zu verhindern, dass während des maximalen Absaugbetriebs des Lüfters Dämpfe in das Flammrohr gesogen werden.
Siehe entsprechende Bauvorschriften.
- Abluft darf nicht in ein Flammrohr austreten, das zum Absaugen von Abgasen anderer Geräte dient, die mit anderen Energiearten als Elektrizität betrieben werden. Hinsichtlich des Abforderns von Abluft und der Strömungsgeschwindigkeiten beim Ansaugen sind die geltenden Vorschriften aller entsprechenden Behörden einzuhalten.
- Vor dem Einsatz des Lüfters in möglicherweise chemisch ätzenden

Atmosphären muss unsere technische Kundendienstabteilung konsultiert werden. (Ausland: Bitte an den zuständigen Xpelair Regionalvertreter wenden.)

- Gilt nur für den DX100PIR: Der Einbauort ist so zu wählen, dass Bewegungen festgestellt werden können. Hierbei ist auch darauf zu achten, dass der Erfassungsbereich **A** nicht durch Gegenstände blockiert oder in anderer Form beeinträchtigt wird.

Installation des Trennschalters und der Kabel

1. Prüfen, dass die an der Rückseite des Gerätes angegebene Nennspannung mit derjenigen der Spannungsversorgung übereinstimmt.

2. Prüfen, dass an der Stelle, an der die Installation des Schalters beabsichtigt ist, keine Elektrokabel, Gas- oder Wasserleitungen o.ä. verlaufen (in der Wand oder oberhalb der Decke). Im Zweifelsfall fachmännischen Rat einholen.

3. Spannungsversorgung trennen.

4. Kabel vom Trennschalter zu der Stelle verlegen, an der die Installation des Lüfters vorgesehen ist (ggf. über den Ein-/Ausschalter).

5. Kabel vom Trennschalter zum Anschlusspunkt an das Stromnetz verlegen.

6. Trennschalter und ggf. Ein-/Ausschalter installieren.

7. Alle erforderlichen Anschlüsse am Trennschalter und ggf. am Ein-/Ausschalter herstellen.

Hinweis: Die Stelle, an der der Ein-/Ausschalter angebracht wird, muss so ausgewählt werden, dass er von badenden oder duschenden Personen nicht berührt werden kann.

WARNUNG: ZU DIESEM ZEITPUNKT NOCH KEINEN ANSCHLUSS AN DER SPANNUNGSVERSORGUNG HERSTELLEN!

Gilt nur für Australien (DX100, DX100PC, DX100HP und DX100PIR)

Der Anschluss an die Spannungsversorgung kann mit einem zweidadrigen Netzkabel hergestellt werden, das mit einem dreistufigen Stecker versehen ist. Dieser Stecker wird entweder an einer zugelassenen und mit 10 A abgesicherten Netzsteckdose angeschlossen oder das Netzkabel wird über einen zugelassenen und mit 10 A abgesicherten Wandschalter mit mindestens 3 mm Abstand zwischen den Kontakten direkt verkabelt.

Gilt nur für Australien (DX100T, DX100H, und DX100VTD)

Diese Modelle sind zum permanenten Anschluss an der Spannungsversorgung ausgelegt, und ihr Betrieb wird über einen Fernschalter gesteuert. Sie sind ,ber einen zugelassenen 10-A-Wandschalter mit

Xpelair
Installations- und
Bedienungsanleitung
für die WC- und
Badezimmerlüfter,
Modelle DX100,
DX100PC, DX100T,
DX100H, DX100HP,
DX100PIR und
DX100VTD

Diese Anleitung zum zukünftigen Nachschlagen bitte stets in der Nähe des Lüfters aufbewahren.

mindestens 3 mm Abstand zwischen den Kontakten direkt an der Spannungsversorgung anzuschließen.

WARNUNG: KINDER DÜRFEN NICHT MIT DIESEM GERÄT SPIELEN! KINDER UND AUFSICHTSBEDÜRFTIGE PERSONEN SIND ENTSPRECHEND ZU BEAUFICHTIGEN!

Vorbereitung des Lochs

Bei Übergründarbeiten sind entsprechende Sicherheitsvorkehrungen zu treffen.

WARNUNG: BEIM BOHREN UND MEISSELN IST EIN AUGENSCHUTZ ZU TRAGEN!

Bei Einbau in eine Wand

1. Prüfen, dass in der Wand, an der die Installation des Lüfters vorgesehen ist, keine Rohrleitungen oder Kabel verlaufen und an der Wand keine anderen Hindernisse vorhanden sind, wie z.B. Elektro-, Gas- oder Wasseranschlüsse.
Im Zweifelsfall fachmännischen Rat einholen.
2. An der Wand den Mittelpunkt des Abzugsloches markieren.
3. Um diesen Mittelpunkt herum einen Kreis mit einem Durchmesser von 115 mm für die Mauerdurchführung anzeichnen.

Bei Einsatz eines Kernbohrers:

- 4a. Der Bedienungsanleitung des Bohrmaschinenherstellers entsprechend verwenden.

Falls kein Kernbohrer verfügbar ist:

- 4b. Ein mittleres Loch vollständig durch die Wand bohren.
5. Das Loch ausschneiden, aber nicht vollständig durch die Wand. (Empfohlene Methode: Entlang der Markierungslinie eine Reihe dicht beieinander liegender Löcher bohren und das Mauerwerk zwischen den Löchern mit einem Meißel entfernen.)
6. Nach draußen gehen und ein Loch in der Außenwand ausschneiden, wobei das oben erläuterte Verfahren wiederholt wird.
7. Das Abzugsrohr ggf. auf die korrekte Länge zuschneiden. Das beiliegende Teleskop-Wandrohr kann auf eine Länge von max. 300 mm ausgezogen werden.
8. Das Abzugsrohr einsetzen. Gewährleisten, dass das Abzugsrohr ein Gefälle vom Lüfter wegweisend besitzt, damit evtl. eindringendes Regenwasser nach außen abläuft.
9. Loch verschließen. Vor dem Fortsetzen mit der Lüfterinstallation warten, bis der Mörtel bzw. die Spachtelmasse abgebunden sind.

Bei Installation in ein Fenster oder eine Verkleidung

1. Ein Loch mit einem Durchmesser von 125 mm ausschneiden bzw. zum Einbau in ein

Fenster eine bereits zurechtgeschnittene Scheibe besorgen.

2. Der Abstand vom Mittelpunkt des Loches zur Kante der Verkleidung oder Glasscheibe muss mindestens 110 mm betragen.

Bei Einbau in einen Lüftungsschacht

1. Prüfen, dass im Lüftungsschacht keine Leitungen oder Kabel verlaufen.
Im Zweifelsfall fachmännischen Rat einholen.
2. An der Seite des Schachtes ein Loch mit einem Durchmesser von 110 mm ausschneiden.
3. Ist der Schacht von einer Hohlwand umgeben, den Hohlraum mit dem Wandrohr überbrücken.
4. Abzugsrohr und ggf. Kühlfalle anbringen, wobei sich die Kühlfalle so nahe wie möglich am Lüfter befinden sollte.

Bei Einbau des Lüfters in eine Decke

1. Prüfen, dass in der Decke bzw. in den Deckenträgern keine Leitungen oder Kabel verlaufen.
Im Zweifelsfall fachmännischen Rat einholen.
2. Ein Loch mit einem Durchmesser von 115 mm ausschneiden.

Vorbereitung des Lüfters zum Einbau

Vordere Abdeckung abnehmen, indem die Verriegelungen an den Seiten des Geräts mit einem 3-mm-Schraubendreher eingedrückt werden und die vordere Abdeckung **L** zugleich nach vorn gezogen wird.

Lüfter in das Loch einsetzen

Bei Übergründarbeiten sind die entsprechenden Sicherheitsvorkehrungen zu treffen.

Bei Einbau des Lüfters in eine Wand, Decke oder einen Lüftungsschacht

Die Position der Sockelplatte **B markieren.**

1. Die Sockelplatte so halten, dass der Anschlussklemmenblock in der linken oberen Ecke auf Sie und die Lippe in Richtung Loch weist.
2. Die Lippe vorsichtig in die Mauerdurchführung, die Decke oder den Abzugsschacht einsetzen.
3. Die Sockelplatte so ausrichten, dass sie bündig und waagrecht sitzt.
4. An der Wand, Decke oder dem Abzugsschacht die Lage der drei Befestigungslöcher in der Sockelplatte markieren.
5. Die Sockelplatte aus dem Abzug herausnehmen.
6. An diesen Stellen ggf. Schraubenlöcher bohren und Dübel einsetzen.

Befestigung der Sockelplatte **C**

1. Die gerippte Dichtung (RG100) auf die Lippe der Sockelplatte **1** schieben.

2. Bei Einbau in eine Decke oder einen Abzugsschacht: Das Stück des Teleskop-Wandrohres mit dem größeren Durchmesser auf die gerippte Dichtung drücken. Zuvor ggf. das Rohr auf die erforderliche Länge zuschneiden.

3. Falls der Lüfter von hinten verkabelt wird, den Auswerfer entfernen. Das Netzkabel durch die Kabeleinlassöffnung in der Sockelplatte zu den Anschlussklemmen **D** führen.

4. Bei Verkabelung von oben das Kabel frei lassen, so dass es im Labyrinth angeschlossen werden kann.

5. Die Lippe der Sockelplatte wie zuvor in die Mauerdurchführung, die Decke oder den Lüftungsschacht einsetzen.

6. Die Sockelplatte mit entsprechenden Befestigungselementen an der Wand, der Decke oder dem Lüftungsschacht befestigen. Bei Verwendung von Schrauben diese nicht überdrehen.

Anbringen der Rückstauklappe

1. Das Schutzpapier von dem beiliegenden Schaumgummistreifen abziehen und den Streifen an der Außenseite der Lippe an der Rückstauklappe befestigen.

2. Nach draußen gehen. Die oberen und unteren Lüfterblätter aufhalten und gleichzeitig die Lippe in die Mauerdurchführung einsetzen.

3. Darauf achten, dass die Rückstauklappe horizontal ausgerichtet ist, und die Lage der beiden Befestigungslöcher oben rechts und unten links anzeichnen.

4. Die Rückstauklappe aus der Mauerdurchführung entfernen.

5. An den markierten Stellen Schraubenlöcher bohren und die restlichen Wanddübel einsetzen.

6. Die oberen und unteren Lüfterblätter aufhalten, die Rückstauklappe wieder einsetzen und mit den Schneidschrauben an der Wand sichern. **Schrauben nicht überdrehen.**

7. Davon überzeugen, dass die Lüfterblätter ungehindert öffnen und schließen.

Bei Einbau des Lüfters in ein Fenster oder eine Verkleidung

Abdichten des Loches **E**

1. Bei Einbau des Lüfters in ein Fenster oder eine Verkleidung, die nicht stärker als 9 mm sind, wird die weiße Gummidichtung um die Kante des Lochs geführt. Bei Einbau des Lüfters in eine Verkleidung oder Thermoscheibe, die stärker als 9 mm sind, ist der Thermoglassatz DXDG erforderlich. Die mit dem Spezialsatz gelieferte Anleitung befolgen.

Anbringen der Rückstauklappe am Abstandshalter **F**

1. Die oberen und unteren Lüfterblätter aufhalten und die Rückstauklappe **2** in den Abstandshalter **3** einsetzen, so dass die Befestigungslöcher oben rechts und unten links mit denen des Abstandshalters übereinstimmen.

2. Zwei der beiliegenden Flachkopf-Schneidschrauben einsetzen und damit die Rückstauklappe am Abstandshalter sichern.

Einbau des Lüfters in das Fenster **G**

1. Die Rückstauklappe und der Abstandshalter müssen zunächst von einer zweiten Person von außen gehalten werden, wobei der Abstandshalter gegen das Glas gedrückt wird.

2. Darauf achten, dass die beiden erhöhten Befestigungslöcher im Abstandshalter horizontal ausgerichtet und im Loch positioniert sind.

3. Die Sockelplatte von innen so halten, dass der Anschlussklemmenblock links oben liegt und die Lippe in Richtung Loch weist.

4. Die Löcher in der Sockelplatte mit denen des Abstandshalters ausrichten.

5. Zwei der beiliegenden Flachkopf-Schneidschrauben in die Befestigungslöcher einsetzen und damit die Sockelplatte am Abstandshalter sichern. **Schrauben nicht überdrehen.**

Die elektrischen Anschlüsse herstellen

• Spannungsversorgung trennen!

1. Den Lüfter so, wie in **H** gezeigt, und dem jeweiligen Modell entsprechend verdrahten. Das Kabel zwischen die beiden erhöhten Klammern führen, falls die Verdrahtung von oben vorgenommen wird, und durch das Labyrinth zum Anschlussklemmenblock.

2. Spannungsversorgung abschalten und Sicherungen herausnehmen.

3. Das vom Trennschalter kommende Kabel an der Spannungsversorgung anschließen.

• Bei Stromkreisen mit fest verlegten Kabeln darf die Nennstromstärke der Gerätesicherung 5 A nicht überschreiten.

Nur DX100T **I**

• Zum Einstellen des Overrun-Zeitraums den Regler (T) drehen. Bei Drehung im Uhrzeigersinn wird die Länge des Zeitraums erhöht, bei Drehung gegen den Uhrzeigersinn gesenkt.

Nur DX100H und DX100HP **J**


• Der Betrieb zur Feuchtigkeitsregelung ist werksseitig auf ca. 70% relative Luftfeuchtigkeit (RH) voreingestellt, kann aber über den Regler H zwischen 50% und 90% reguliert werden.

• Der Verzögerungszeitgeber ist werksseitig auf ca. 20 Minuten voreingestellt, kann aber über den Regler T reguliert werden.

• Beide Regler sind verstellbar. Zum Erhöhen der Zeitspanne bzw. relativen Luftfeuchtigkeit wird der Regler im Uhrzeigersinn gedreht, zum Senken gegen den Uhrzeigersinn.

Xpelair
Installations- und
Bedienungsanleitung
für die WC- und
Badezimmerlüfter,
Modelle DX100,
DX100PC, DX100T,
DX100H, DX100HP,
DX100PIR und
DX100VTD

Diese Anleitung zum zukünftigen Nachschlagen bitte stets in der Nähe des Lüfters aufbewahren.

Nur DX100PIR 

- Der Overrun-Zeitraum wird mit dem Regler T gesteuert. Zum Erhöhen mit dem Schraubendreher im Uhrzeigersinn drehen, zum Senken gegen den Uhrzeigersinn.

Alle Lüfter

- Bei Verdrahtung von oben den oben auf der vorderen Abdeckung markierten Kabeleinlassschlitz ausschneiden.
- Anbringen der vorderen Abdeckung: Rechtwinklig zum Abzug ausrichten und so weit auf das Abzugsrohr schieben, bis die Verriegelungen in den Schlitz an der vorderen Abdeckung einrasten.

Bedienung des Lüfters

Nur DX100H und DX100VTD

- Der Lüfter wird mit dem Ein-/Ausschalter ein- und ausgeschaltet.

Nur DX100PC

- Der Lüfter wird durch Ziehen der Zugschnur ein- und ausgeschaltet.

Nur DX100T

- Der Lüfter wird mit dem Ein-/Ausschalter ein- und ausgeschaltet. Im ausgeschalteten Zustand bleibt der Lüfter über die eingestellte Verzögerungszeit hinweg in Betrieb.

Nur DX100H

- **Manuelle Betriebsart:** Der Lüfter wird mit dem Ein-/Ausschalter ein- und ausgeschaltet. Nach dem Ausschalten geht der Lüfter in die automatische Betriebsart über (eine Kontrolllampe zeigt an, wenn der Lüfter in der manuellen Betriebsart in Betrieb ist).
- **Automatische Betriebsart:** Der Lüfter wird bei zunehmender relativer Luftfeuchtigkeit eingeschaltet. Bei sinkender Luftfeuchte wird er automatisch ausgeschaltet.


Nur DX100PIR

- Der Bewegungssensor stellt Bewegungen im Raum fest und schaltet den Lüfter ein. Bei Feststellen von Bewegungen läuft der Lüfter über einen voreingestellten Overrun-Zeitraum hinweg, und werden weitere Bewegungen festgestellt, wird die Folge erneut gestartet. Hierdurch wird sichergestellt, dass der Raum nur während der Benutzung und unmittelbar danach gelüftet wird. **Nach dem ersten Einbau des Lüfters erfolgt ein Stabilisierungszeitraum von etwa fünf Minuten, in dem der Lüfter bis zu zwei Minuten läuft.**

Reinigung (einmal pro Monat empfohlen)

DIE REINIGUNG DES LÜFTERS DARF NUR VON EINEM DAZU BERECHTIGTEN ELEKTRIKER VORGENOMMEN WERDEN!

1. Vor dem Ausführen von Reinigungsarbeiten Lüfter vollständig vom Stromnetz trennen.

2. Vordere Abdeckung entfernen, indem die Verriegelungen an den Seiten des Geräts mit einem 3-mm-Schraubendreher eingedrückt werden und die vordere Abdeckung  zugleich nach vorn gezogen wird.
3. Zum Reinigen wird die vordere Abdeckung entweder mit einem feuchten, fusselfreien Tuch abgewischt oder in warmem Seifenwasser gewaschen. Abdeckung anschließend gründlich trocknen und wieder anbringen.
4. Alle anderen Teile des Lüfters dürfen weder mit Wasser noch mit anderen Flüssigkeiten gereinigt werden.
5. Zum Reinigen des Lüfters keine aggressiven Lösungsmittel benutzen!
6. Außer der Reinigung des Lüfters sind keine weiteren Wartungsarbeiten erforderlich.



*Xpelair
Toilet- en
badkamerventilator
s DX100, DX100PC,
DX100T, DX100H,
DX100HP DX100PIR
& DX100VTD
installatie- en
werkingsinstructies*

Laat deze instructies bij de ventilator liggen ten vordede van de gebruiker.

Installatie van de ventilator

Deze apparaten moeten aangesloten worden aan vaste bedrading. Ga na of het maximum vermogen van elke ventilator overeenstemt met het elektriciteitsnet.

DEZE APPARATEN ZIJN DUBBEL GEÏSOLEERD EN HEBBEN GEEN AARDVERBINDING NODIG

Alle installaties moeten gecontroleerd worden door een bevoegd elektricien. Installaties en bedrading moeten overeenstemmen met de huidige IEE Regulaties (GB), plaatselijke of toepasselijke regulaties (andere landen).

Als u vragen mocht hebben voor u deze producten installeert of na installatie telefoneer dan de Xpelair Technische Hotline +44 (0) 8709 000430. Onze technici staan om u tijdens de normale kantooruren (alleen GB) van dienst te zijn en kunnen op alle andere tijden gefaxt worden naar +44 (0) 8709 000530.

Klanten buiten GB moeten contact opnemen met hun plaatselijke Xpelair verdeler.

Beschrijving

Xpelair ventilators hebben de volgende onderdelen:

- Universeel montagepakket voor montage op venster/ muur/ paneel/ ventilatieschacht/ plafond.
- Enkele afzuigsnelheid.

DX100

- De ventilator werkt met een aan /af schakelaar (niet bijgeleverd).

DX100PC

- De ventilator werkt met een integrale trekkoord.

DX100T

- Ingebouwde timer brengt de ventilator in werking voor een vooraf ingestelde vertraging van maximaal 30 minuten.

DX100H

- Werkt ofwel wanneer hij automatisch aangeschakeld wordt door de vochtigheidssensor of wanneer hij aangezet wordt met de integrale trekkoordschakelaar (het licht toont aan wanneer de ventilator op handbediening werkt).

DX100HP

- Werkt ofwel wanneer hij automatisch aangeschakeld wordt door de vochtigheidssensor of wanneer hij aangezet wordt met de integrale trekkoordschakelaar (het licht toont aan wanneer de ventilator op handbediening werkt). De ingebouwde timer brengt de ventilator automatisch in werking voor een vooraf ingestelde vertraging van maximaal 20 minuten.

DX100PIR

- Een integrale lichaamsbewegingssensor doet de ventilator werken zo lang als er beweging

opgespoord wordt. De ingebouwde timer brengt de ventilator automatisch in werking voor een vooraf ingestelde vertraging van maximaal 20 minuten.

DX100VTD

- Werkt met een aan /af schakelaar (niet bijgeleverd). De ventilator zal niet starten voor de eerste 2,5 minuten (+/- 27%). Na deze tijd zal de ventilator beginnen werken. Wanneer de ventilator uitgeschakeld wordt, zal hij blijven werken voor ongeveer 7,5 minuten (+/-27%).

Wat de installateur zal hebben

- Een isolatieschakelaar met dubbele polen met een minimum contactafstand van 3mm (gemonteerd op muur of plafond).
- **Als metalen schakeldozen gebruikt worden, moeten de aardregulaties nageleefd worden.**
- 2-ziel kabel met geschikt vermogen (DX100, DX100PC, DX100HP and DX100PIR).
- 3-ziel kabel met geschikt vermogen (DX100T, DX100H and DX100VTD).
- 3mm elektriciensschroevendraaier en nr. 1 of 2 kruisschroevendraaiers.
- Een aan/ af schakelaar voor muur of plafond met ingebouwde controlelampje (DX100, DX100T, and DX100VTD).
- **Om een mogelijke gevaarlijke situatie van watertoegang te vermijden, moet een condensatiefilter (Xpelair nr. XCT100) zo dicht mogelijk bij de ventilator gemonteerd worden in alle situaties waar een onderdeel van het buiswerk zich hoger bevindt dan de ventilator.**

Als u de ventilator op de muur monteert, zal u ook het volgende nodig hebben:

- Steenboor, hamer en beitel (of kernboor indien beschikbaar).
- Mortel om het gat te vullen indien nodig.

Als u de ventilator op het venster monteert.

- U zal een ruit nodig hebben die tussen 3mm en 6mm dik is (bij voorkeur 4mm).
- Installeer de ventilator niet in glas dat 3mm dik is als de ruit groter is dan 0,2m².
- *Als u de ventilator installeert in verzegelde dubbele ramen moet u een speciaal vervaardigde unit vragen aan uw glazenmaker. U zal ook een speciaal pakket nodig hebben, Xpelair Cat. ref. DXDG.*
- *Bij schuiframen moet u de ventilator installeren in het bovenste raam. Beveilig het bovenste schuifraam in de gesloten positie en bevestig stoppen juist onder het niveau van de ventilator om te vermijden dat deze beschadigd wordt wanneer het raam omhoog geschoven wordt.*
- Als de ventilator geïnstalleerd wordt in een paneel dat tussen 9mm en 46mm dik is, zal u het speciale pakket Xpelair Cat. ref. DXDG nodig hebben. Installeer deze ventilators niet in panelen die dikker zijn dan 46mm.

Als u de ventilator op het plafond monteert.

U zal de juiste accessoires nodig hebben voor de afwerking. Deze zijn verkrijgbaar bij Xpelair.

1. WT10 - Buizenpakket.
2. CFW- Soffietbord afwerkinggrille (wit of bruin).
3. FD100 / 3 en FD100 / 6 - buigbare buizen.

De plaats van de ventilator

- Installeer de ventilator zo hoog mogelijk
- Minstens 110mm van de randen van het oppervlak waarop de ventilator gemonteerd wordt tot het centrum van het gat.
- Zo ver mogelijk verwijderd van en tegenover de voornaamste bron van luchtverversing om een luchtstroom in de kamer te verzekeren (b.v. tegenover een binnendeur).
- Naast de bron van stoom of geuren.
- Niet waar de omgevingstemperatuur hoger kan stijgen dan 50°C.

• Als de ventilator in de keuken geïnstalleerd wordt, mag hij niet rechtstreeks boven een kookplaat of grill op oogniveau bevestigd worden.

• Als de ventilator geïnstalleerd wordt in een kamer met een brandstofbrander met een niet-gebalanceerd rookkanaal is de installateur ervoor verantwoordelijk om te verzekeren dat er voldoende luchtverversing is om te vermijden dat uitwasemingen uit het rookkanaal getrokken worden als de ventilator om maximale extractie werkt. Verwijs naar de Bouwregulaties voor specifieke vereisten.

• De afgezogen lucht mag niet vrijgelaten worden in een rookkanaal dat gebruikt wordt voor uitlaatgassen van apparaten die werken op een andere energiebron dan elektriciteit. De vereisten van alle betrokken autoriteiten moeten nageleefd worden voor de uitlaat van lucht en de snelheid van de inlaatvoer.

• Wanneer de ventilator bedoeld is om gebruikt te worden in mogelijke chemisch corrosieve omgevingen moet u onze Afdeling Technische Dienst raadplegen. (Voor de buitenlandse markten contact opnemen met uw plaatselijke Xpelair verdeler).

• DX100PIR alleen - zorg ervoor dat de waarneming van bewegingen mogelijk is. Vermijd obstructies die de waarnemingsstralen zouden kunnen blokkeren **A**.

Installatie van de isolatieschakelaar en kabels

1. Zorg ervoor dat de elektrische belasting die binnenin de achterplaat aangeduid wordt, overeenstemt met uw elektriciteitstoevoer.
2. Zorg ervoor dat er geen verborgen buizen of kabels aanwezig zijn (b.v. elektriciteit,

gas, water) op de plaats waar de schakelaar zich moet bevinden (in de muur of boven het plafond). Raadpleeg een deskundige als u twijfelt.

3. Isoleer de elektriciteitstoevoer.

4. Leg de kabel van de isolatieschakelaar naar de ventilatorlocatie via de aan/ af schakelaar (indien vereist).
5. Leg de kabel van de isolatieschakelaar naar het aansluitingspunt aan de elektriciteit.
6. Installeer de isolatieschakelaar en de aan/ af schakelaar (indien vereist).
7. Maak alle verbindingen in de isolatieschakelaar en de aan/ af schakelaar (indien vereist).

Opmerking: de aan/ af schakelaar mag niet bereikbaar zijn door personen die gebruik maken van de douche of het bad.

WAARSCHUWING: MAAK OP DIT PUNT NOG GEEN VERBINDINGEN AAN DE ELEKTRICITEITSTOEVOER.

Alleen voor Australië (DX100, DX100PC, DX100HP & DX100PIR)

Aansluiting aan de elektriciteit mag gedaan worden met een buigzame 2-ziel kabel met stekker met 3 pinnen voor een goedgekeurde GPO van 10A of rechtstreeks bedraad door een goedgekeurde 10A muurschakelaar met minstens 3mm speling tussen de contacten.

Alleen voor Australië (DX100T, DX100H & DX100VTD)

Deze modellen zijn constant aangesloten aan de elektriciteit en de werking ervan wordt bediend door een afstandsschakelaar. Ze moeten rechtstreeks aan de elektriciteit aangesloten worden met een goedgekeurde muurschakelaar van 10A met minstens 3mm speling tussen de contacten.

WAARSCHUWING: KINDEREN MOGEN NIET SPELEN MET HET APPARAAT. ZORG ERVOOR DAT KINDEREN EN LICHAAMELIJK ZWAKKE MENSEN ONDER TOEZICHT GEHOUDEN WORDEN.

Het gat voorbereiden

Voor werk boven het gelijkvloerse moeten de nodige veiligheidsmaatregelen in acht genomen worden.

WAARSCHUWING: DRAAG STEEDS DE NODIGE OOGBESCHERMING TIJDENS BOREN EN BEITELLEN.

Bij installatie in een muur.

1. Zorg ervoor dat er geen buizen of kabels verborgen zitten in de muur of dat er geen obstructies zijn aan de buitenkant, b.v. gas, elektriciteit, water. Raadpleeg een deskundige als u twijfelt.
2. Teken het centrum van het afvoerbuisgat aan op de muur.
3. Gebruik dit centrum om een cirkel aan te tekenen die overeenstemt met de muurbuis (115mm diameter).

Als u een kernboor ter beschikking hebt:

- 4a. Gebruik volgens de aanwijzingen van de fabrikant van de kernboor.

*Xpelair
Toilet- en
badkamerventilator
s DX100, DX100PC,
DX100T, DX100H,
DX100HP DX100PIR
& DX100VTD
installatie- en
werkingsinstructies*

Laat deze instructies bij de ventilator liggen ten vordede van de gebruiker.

Als u geen kernboor ter beschikking hebt:

4b. Boor een centraal gat rechtstreeks door de muur.

5. Snijd het gat maar zorg ervoor dat u niet helemaal door de muur snijdt. (De aanbevolen methode is een aantal gaatjes dicht bij elkaar te boren rond de rand van de snijlijn en de baksteen tussen de gaatjes te verwijderen met een beitel).
6. Ga naar buiten en maak een gat in de buitenmuur door de bovenstaande methode te herhalen.
7. Snijd de buizen op de juiste lengte af indien nodig. De bijgeleverde muurbuis is telescopisch en kan uitgerekt worden tot maximaal 300mm.
8. Zorg er bij het installeren van de buizen voor dat ze schuin aflopen (weg van de ventilator) om inkomend regenwater naar buiten te draineren.
9. Repareer het gat. Zorg ervoor dat de mortel hard is vooraleer u verder gaat met het installeren van de ventilator.

Bij installatie in een venster of paneel

1. Maak een gat met een diameter van 125mm of gebruik een ruit die speciaal werd gesneden als u de ventilator in een venster monteert.
2. Het centrum van het gat moet minstens 110mm verwijderd zijn van de rand van het paneel of de ruit.

Bij installatie in een ventilatieschacht.

1. **Zorg ervoor dat er geen verborgen buizen of kabels aanwezig zijn in de ventilatieschacht. Raadpleeg een deskundige als u twijfelt.**
2. Maak een gat met een diameter van 110mm in de zijkant van de schacht.
3. Als de schacht een spouwmuur heeft, gebruik dan de muurbuis om de spouw te overbruggen.
4. Monteer de buizen en de condensatiefilter indien nodig. De condensatiefilter moet zo dicht mogelijk bij de ventilator geïnstalleerd worden.

Bij installatie in het plafond

1. **Zorg ervoor dat er geen verborgen buizen of kabels aanwezig zijn in het plafond/ de balken enz. Raadpleeg een deskundige als u twijfelt.**
2. Maak een gat met een diameter van 115mm.

De ventilator voorbereiden voor installatie

Verwijder het voorste deksel door met een 3mm schroevendraaier op de grepen aan de kanten van het apparaat te drukken en tegelijkertijd het voorste deksel naar voren te trekken **L**

De ventilator in het gat monteren

Voor werk boven het gelijkvloerse moeten de nodige veiligheidsmaatregelen in acht genomen worden.

Bij installatie in een muur, plafond of ventilatieschacht

Teken de positie van de achterplaat aan **B**

1. Houd de achterplaat in de volgende positie: het klemblok staat tegenover u in de linkerbovenhoek en de rand wijst in de richting van het gat.
2. Stop voorzichtig de rand in de muurbuis/ plafond of ventilatieschacht.
3. Pas de positie van de achterplaat aan zodat hij waterpas is.
4. Markeer de posities van de drie bevestigingsgaatjes in de achterplaat op de muur/ plafond of ventilatieschacht.
5. Verwijder de achterplaat van het buiswerk.
6. Boor gaatjes in deze posities indien nodig en gebruik, indien nodig, muurpluggen.

De achterplaat monteren **C**

1. Druk de geribbelde pakking (RG100) aan op de rand van de achterplaat **1**
2. **Bij installatie in een plafond of ventilatieschacht:** druk het stuk telescopische muurbuis met de grootste diameter aan op de geribbelde pakking. Snijd, indien nodig, eerst de buis af op de gewenste lengte.
3. *Als u de ventilator van de achterkant bedraadt, verwijder dan de uitsnijding. Schuif de elektrische kabel door het daarvoor bestemde gat in de achterplaat naar de poolklemmen **D***
4. *Als u de ventilator van de bovenkant bedraadt, laat de kabel dan vrij om in het labyrint te passen.*
5. Steek de rand van de achterplaat in de muurbuis/ plafond of ventilatieschacht zoals voorheen.
6. Bevestig de achterplaat aan de muur/ plafond of ventilatieschacht met de geschikte hechtingen. Als u schroeven gebruikt, **zorg er dan voor dat u ze niet te vast aandraait.**

De achterste tochtklep monteren

1. Pel de achterkant van de bijgeleverde schuimrubberen strook af en bevestig deze rond de buitenkant van de rand van de achterste tochtklep.
2. Ga naar buiten. Houd de bovenste en onderste vinnen open en steek de rand in de muurbuis.
3. Zorg ervoor dat de achterste tochtklep waterpas is en teken de posities van de twee bevestigingsgaatjes aan in de rechterbovenhoek en de linkerbenedenhoek.
4. Neem de achterste tochtklep weg van de muurbuis.
5. Boor gaten in deze posities en gebruik de overblijvende muurpluggen.
6. Houd de bovenste en onderste vinnen open, monteer opnieuw de achterste tochtklep en maak hem aan de muur vast met de puntige

en zelfindraaiende schroeven. **Draai de schroeven niet te vast aan.**

7. Controleer of de vinnen goed openen en sluiten.

Bij installatie in een venster of paneel

Het gat vullen E

1. Bij installatie in een venster of paneel dat niet dikker is dan 9mm, bevestig de witte rubberen pakking rond de rand van het gat. Bij installatie in een paneel of verzegelde dubbele ramen met een dikte die groter is dan 9mm moet een DXDG pakket voor dubbele beglazing gebruikt worden. Volg de richtlijnen die bijgeleverd worden bij dit speciale pakket.

De achterste tochtklep bevestigen aan het vulstuk F

1. Houd de bovenste en onderste vinnen open en steek de achterste tochtklep ② in het vulstuk ③ zodat de bevestigingsgaatjes in de rechterbovenhoek en de linkerbenedenhoek overeenstemmen met de gaatjes op het vulstuk.
2. Gebruik twee van de bijgeleverde zelfindraaiende schroeven met platte kop en bevestig de achterste tochtklep aan het vulstuk.

De ventilator in het venster monteren G

1. Een tweede persoon moet de achterste tochtklep en het vulstuk buiten op de juiste plaats houden met het vulstuk tegen het glas.
2. Zorg ervoor dat de twee verhoogde bevestigingsgaatjes in het vulstuk horizontaal zijn en in het gat passen.
3. Van de binnenkant, houd de achterplaat in de volgende positie: het klemblok staat tegenover u in de linkerbovenhoek en de rand wijst in de richting van het gat.
4. Zorg ervoor dat de gaten in de achterplaat overeenkomen met de gaatjes in het vulstuk.
5. Gebruik twee van de bijgeleverde zelfindraaiende schroeven met platte kop en bevestig de achterplaat aan het vulstuk. **Draai de schroeven niet te vast aan.**

De elektrische verbindingen bedraden

- **Zorg ervoor dat de elektriciteitstoevoer geïsoleerd is.**

1. Bedraad de ventilator zoals aangetoond in **H**. Vergelijk de ventilator met het diagram en schuif de kabel tussen de twee verhoogde pinnen, als u van de bovenkant bedraadt, en door het labirint naar het klemblok.
2. **Schakel de elektriciteit uit en verwijder de zekeringen.**
3. Koppel de kabel van de isolatieschakelaar aan de elektriciteit.
- **Voor vaste bedradingcircuits mag de beschermende zekering voor het apparaat niet hoger zijn dan 5A.**

DX100T alleen I

- Om de overschrijdingsperiode te regelen, draai de knop (T) naar rechts om te

vermeerderen en naar links om te verminderen.

DX100H & DX100HP alleen J

- De vochtigheidsregeling werd ingesteld in de fabriek aan ongeveer 70% relatieve vochtigheid (RH), maar kan aangepast worden tussen 50% en 90% RH met knop(H).
- De tijdsvertraging werd ingesteld in de fabriek aan ongeveer 20 min. maar kan aangepast worden met knop (T).
- Beide knoppen zijn regelbaar. Draai de knoppen naar rechts om de tijd of RH te vermeerderen en naar links om te verminderen.

DX100PIR alleen K

- Regel de overschrijdingsperiode met knop (T). Draai de schroevendraaier naar rechts om te vermeerderen en naar links om te verminderen.

Alle ventilators

- Als u van boven aan bedraadt, snij dan het aangeduide gat voor de kabel weg uit de bovenkant van het voorste deksel.
- Bevestig het voorste deksel door het te doen overeenkomen met de buis en het op de buis te drukken tot de greepjes in de gleufjes van het voorste deksel klikken.

De ventilator gebruiken

DX100 & DX100VTD alleen

- Zet de ventilator aan en af met de aan/ af schakelaar.

DX100PC alleen

- Zet de ventilator aan door aan de koord te trekken en los te laten. Herhaal deze actie om de ventilator af te zetten.

DX100T alleen

- Zet de ventilator aan en af met de aan/ af schakelaar. Wanneer de ventilator afgezet wordt, zal hij blijven werken voor de ingestelde tijdsvertraging.

DX100H alleen

- **Manuele stand:** gebruik de aan/ af schakelaar. Wanneer u de ventilator afzet, gaat hij in automatische stand werken na de tijdsvertraging (het licht toont aan wanneer de ventilator werkt op de manuele stand).
- **Automatische stand:** de ventilator werkt wanneer de relatieve vochtigheid stijgt en stopt wanneer de vochtigheid daalt.

DX100PIR alleen

- De sensor spoort bewegingen op in de kamer en activeert de ventilator. Wanneer beweging opgespoord wordt, zal de ventilator werken voor een vooraf ingestelde overschrijdingsperiode en verdere bewegingen zullen de opeenvolging opnieuw starten. Hierdoor wordt de kamer enkel geventileerd tijdens en onmiddellijk na gebruik. **Wanneer de ventilator voor het eerst geïnstalleerd is, zal er een stabilisatieperiode zijn van ongeveer 5 minuten. Tijdens deze periode zal de**

*Xpelair
Toilet- en
badkamerventilator
s DX100, DX100PC,
DX100T, DX100H,
DX100HP DX100PIR
& DX100VTD
installatie- en
werkingsinstructies*

Laat deze instructies bij de ventilator liggen ten vordede van de gebruiker.

ventilator voor maximum 2 minuten blijven werken.

Reiniging (aanbevolen om eens per maand te reinigen)

DE REINIGING MOET UITGEVOERD WORDEN DOOR EEN BEVOEGD ELEKTRICIEN.

1. Isoleer de ventilator volledig van de elektriciteit.
2. Verwijder het voorste deksel door met een 3mm schroevendraaier op de grepen aan de kanten van het apparaat te drukken en tegelijkertijd het voorste deksel naar voren te trekken **L**
3. Om het voorste deksel te reinigen, veeg het ofwel schoon met een vochtig doek zonder pluksels of was het is warm zeepwater. Droog het voorste deksel zorgvuldig en plaats het terug.
4. Dompel de ventilator niet onder in water of andere vloeistoffen om andere onderdelen van de ventilator te reinigen.
5. Gebruik nooit bijtende oplosmiddelen om de ventilator te reinigen.
6. Naast het reinigen is er geen ander onderhoud vereist.



Istruzioni per l'installazione ed il funzionamento dei ventilatori per bagno Xpelair

DX100, DX100 PC, DX100 T, DX100 H, DX100 HP, DX100 PIR, DX100 VDT

SI PREGA DI CONSERVARE IL PRESENTE OPUSCOLO ASSIEME ALL'ESTRATTORE POICHÉ CONTIENE INFORMAZIONI UTILI PER L'UTENTE.

Installazione dell'estrattore

Questo apparecchio deve essere collegato ad un cablaggio di alimentazione fisso.

Controllare che i requisiti elettrici riportati sulla targhetta dell'apparecchio corrispondano alle caratteristiche dell'alimentazione di rete. **QUESTO APPARECCHIO È MUNITO DI DOPPIO ISOLAMENTO E NON RICHIEDE MESSA A TERRA.** Tutte le procedure di installazione devono essere supervisionate da un elettricista qualificato. **Installazione e cablaggio devono essere conformi alle norme IEE vigenti (per il Regno Unito), alle norme locali e a tutte le altre norme in materia (negli altri paesi).**

In caso di dubbi, prima o dopo l'installazione dell'apparecchio, rivolgersi all'assistenza tecnica Xpelair chiamando il numero +44 (0) 8709 00043. I nostri tecnici sono a disposizione durante il normale orario lavorativo (solo per il Regno Unito). Per inviare un fax in qualunque momento chiamare il numero +44 (0) 8709 000530.

I clienti non residenti nel Regno Unito sono pregati di rivolgersi al distributore Xpelair della propria zona.

Descrizione

I ventilatori Xpelair sono provvisti di:

- un kit di montaggio universale per montaggio a finestra / parete / pannello / pozzo di ventilazione / soffitto
- una sola velocità di estrazione.

DX100

- Azionamento mediante interruttore di accensione/spegnimento (non fornito).

DX100PC

- Azionamento mediante cordino integrale.

DX100T

- Azionamento automatico mediante timer integrale con un ritardo programmato di 30 minuti max.

DX100H

- Azionamento automatico mediante sensore di umidità o manuale mediante cordino integrale (durante il funzionamento nella modalità manuale la spia dell'estrattore è accesa).

DX100HP

- Azionamento automatico mediante sensore di umidità o manuale mediante cordino integrale (durante il funzionamento nella modalità manuale la spia dell'estrattore è accesa). Il timer integrale aziona automaticamente l'estrattore con un ritardo programmato di 20 minuti max.

DX100PIR

- Azionamento automatico mediante sensore di movimento. Il timer integrale aziona automaticamente l'estrattore con un ritardo programmato di 20 minuti max.

DX100VTD

- Azionamento mediante interruttore di accensione/spegnimento (non fornito). L'estrattore entra in funzione dopo un ritardo di accensione di 2,5 minuti circa (+/- 27%). Una volta spento,

l'estrattore cessa di funzionare dopo 7,5 minuti circa (+/- 27%).

Occorrente per l'installazione

- Un sezionatore bipolare (montato alla parete o al soffitto) con 3 mm di spazio minimo tra i contatti.
- **Se si usa una cassetta di contenimento in metallo per l'interruttore, attenersi alle norme relative alla messa a terra.**
- Cavo a 2 poli di taratura adeguata (DX100, DX100PC, DX100HP e DX100PIR)
- Cavo a 3 poli di taratura adeguata (DX100T, DX100H e DX100VTD).
- Un cacciavite da elettricista con lama da 3mm e cacciavite tipo Pozidriv N° 1 e 2.
- Un interruttore di accensione/spegnimento per montaggio a parete o a soffitto provvisto di spia integrale (DX100, DX100T e DX100VTD).
- **Per prevenire possibili rischi causati dall'ingresso di acqua, si raccomanda di montare un dispositivo di raccolta della condensa (Xpelair n° XCT100) quanto più vicino possibile all'estrattore in tutti i punti in cui i tubi vengono installati più in alto rispetto all'estrattore.**

Ulteriore occorrente per il montaggio a muro

- Un trapano per muratura, martello e scalpello (o un allargatore di fori se disponibile).
- Malta per riempire il foro, se necessario.

Ulteriore occorrente per il montaggio a finestra

- Vetro di spessore compreso tra 3mm e 6 mm (preferibilmente 4 mm).
- Non installare in vetri di 3 mm di spessore se l'area è superiore a 0,2 m².
- *Per l'installazione in finestre con doppi vetri è necessario procurarsi una lastra di vetro appositamente prodotta dalla vetreria ed utilizzare un kit di montaggio speciale Xpelair, Rif. Cat.: DXDG.*
- *Per l'installazione in finestre a battenti è necessario montare l'estrattore alla finestra superiore e bloccare il battente in posizione di chiusura installando appositi fermi sotto al piano di montaggio dell'estrattore per evitare che possa essere danneggiato sollevando il battente.*
- In caso di installazione in pannelli di spessore compreso tra 9 mm e 46 mm è necessario procurarsi un kit di montaggio speciale Xpelair, Rif. Cat.: DXDG. Non montare questi estrattori in pannelli di spessore superiore a 46 mm.

Ulteriore occorrente per il montaggio a soffitto

Questa opzione di montaggio richiede l'impiego di appositi accessori. Per l'ordinazione rivolgersi a Xpelair.

1. WT10 - Kit terminazione tubo.
2. CFWG 100 - Griglia terminazione pannello soffitto (bianca o marrone).
3. FD100/3 e FD100/6 - Tubo flessibile.

Dove posizionare l'estrattore

- Ubicare l'estrattore quanto più in alto è possibile.
- Rispettare una distanza di almeno 110 mm dal bordo della superficie di montaggio al centro del foro.
- Installare l'estrattore quanto più lontano possibile ed in posizione opposta alla principale fonte di ricambio d'aria per garantire ricambio d'aria nel locale (ad es. sulla parete opposta alla porta della stanza).
- Ubicare l'estrattore vicino alla fonte di emissione di vapore o odori.
- **Non installare l'estrattore in locali dove la temperatura ambiente può superare i 50°C.**
- **Se è installato in una cucina, l'estrattore non deve essere montato direttamente sopra il piano di cottura o sopra un grill ad altezza d'uomo.**
- **Se si installa l'estrattore in un locale contenente un bruciatore di combustibile sprovvisto di canna fumaria bilanciata, è responsabilità degli installatori assicurarsi che vi sia un volume d'aria di ricambio sufficiente ad evitare che il fumo venga aspirato giù per la canna fumaria quando l'estrattore è in funzione alla massima potenza. Per i requisiti specifici consultare le relative norme di edilizia.**
- **L'aria estratta non deve essere scaricata in una canna fumaria utilizzata per lo scarico del fumo prodotto da apparecchi alimentati a combustione. Per quanto concerne le portate di aspirazione e di emissione dell'aria di scarico è necessario attenersi alle disposizioni di tutte le autorità competenti.**
- Consultare il nostro reparto di assistenza tecnica Se l'estrattore deve essere utilizzato in atmosfere che possono contenere sostanze chimiche corrosive. (Gli utilizzatori residenti fuori dal Regno Unito sono pregati di contattare il distributore Xpelair della propria zona).
- Solo per il modello DX100PIR: montare l'estrattore in un punto ideale per la rilevazione dei movimenti nella stanza. Controllare che non vi siano ostacoli che ostruiscono i raggi di rilevazione **A**.

Installazione del sezionatore e dei cavi

1. Controllare che i requisiti elettrici riportati all'interno della piastra posteriore dell'apparecchio corrispondano alle caratteristiche dell'alimentazione di rete.
2. Controllare che non vi siano cavi o tubi (ad es. dell'elettricità, del gas o dell'acqua) dietro il punto in cui si intende installare il sezionatore (nella parete o sopra il soffitto). In caso di dubbio rivolgersi a tecnici specializzati.
3. Isolare l'alimentazione di rete.
4. Instradare il cavo dal sezionatore fino al punto di installazione della ventola, attraverso l'interruttore accensione/spengimento, se richiesto.
5. Instradare il cavo dal sezionatore fino al punto di connessione con la rete elettrica.
6. Installare il sezionatore e l'interruttore di

accensione/spengimento (se richiesto).

7. Stabilire tutti i collegamenti all'interno del sezionatore e dell'interruttore di accensione/spengimento (se richiesto).

Nota: posizionare l'interruttore di accensione/spengimento in un punto non accessibile a quanti utilizzano il bagno o la doccia.

ATTENZIONE: NON STABILIRE ALCUN COLLEGAMENTO CON L'ALIMENTAZIONE ELETTRICA DI RETE IN QUESTA FASE DI MONTAGGIO

Solo per l'Australia (DX100, DX100PC, DX100HP e DX100PIR)

Questi modelli devono essere collegati alla rete elettrica mediante un cavo bipolare flessibile provvisto di una spina a 3 poli da inserire in una presa omologata da 10 A o cablato direttamente mediante un interruttore omologato, montato a parete, da 10 A e con una distanza di almeno 3 mm tra i contatti.

Solo per l'Australia (DX100T, DX100H e DX100VTD)

Questi modelli devono essere cablati permanentemente alla rete elettrica ed azionati mediante un interruttore a distanza. Gli apparecchi devono essere collegati direttamente alla rete elettrica mediante un interruttore omologato, montato a parete, da 10 A e con una distanza di almeno 3 mm tra i contatti.

ATTENZIONE: NON CONSENTIRE AI BAMBINI DI GIOCARE CON L'ESTRATTORE. BAMBINI E INVALIDI RICHIEDONO LA SUPERVISIONE DEGLI ADULTI.

Preparazione del foro

Adottare le opportune precauzioni di sicurezza se si lavora al di sopra del livello del suolo.

AVVERTENZA: INDOSSARE OCCHIALI PROTETTIVI DURANTE LE OPERAZIONI DI TRAPANAZIONE E SCALPELLATURA.

Per l'installazione a parete

1. Controllare che non vi siano cavi o tubi all'interno della parete e/o ostacoli all'esterno (ad. es. cavi elettrici, tubi del gas o dell'acqua). In caso di dubbio rivolgersi ad un tecnico specializzato.
2. Marcare il centro del foro per il tubo.
3. Puntare il centro e tracciare una circonferenza di dimensioni corrette per il montaggio del tubo (diametro: 115 cm).

Se si dispone di un allargatore di fori:

- 4a. Utilizzare l'allargatore secondo le istruzioni con esso fornite.

In caso contrario

- 4b. Trapanare un foro centrale perforando completamente il muro.
5. Realizzare il foro nella parete interna senza perforare completamente il muro. (Il metodo raccomandato è di trapanare più fori guida vicini lungo il bordo della circonferenza di taglio e di rimuovere i mattoni tra i fori servendosi di uno scalpello).
6. Praticare un foro nella parete esterna adottando lo stesso metodo usato per la parete interna.

Istruzioni per l'installazione ed il funzionamento dei ventilatori per bagno Xpelair DX100, DX100 PC, DX100 T, DX100 H, DX100 HP, DX100 PIR, DX100 VDT

SI PREGA DI CONSERVARE IL PRESENTE OPUSCOLO ASSIEME ALL'ESTRATTORE POICHÉ CONTIENE INFORMAZIONI UTILI PER L'UTENTE.

7. Tagliare il tubo della lunghezza corretta. Il tubo fornito è telescopico e può essere esteso fino a 300 mm.
8. Montare il tubo. Verificare che lo scarico del tubo punti lontano dall'estrattore e che eventuale acqua piovana sia scaricata all'esterno.
9. Riempire i bordi del foro con la malta e lasciare indurire prima di proseguire.

Per l'installazione a finestra/pannello

1. Praticare un foro di 125 mm di diametro; per le installazioni a finestra è necessario procurarsi un vetro pretagliato.
2. Rispettare una distanza di almeno 110 mm dal centro del foro al bordo del pannello o del vetro.

Per l'installazione in un pozzo di ventilazione

1. **Controllare che non vi siano cavi o tubi all'interno della parete e/o ostacoli all'esterno (ad. es. cavi elettrici, tubi del gas o dell'acqua). In caso di dubbio rivolgersi ad un tecnico specializzato.**
2. Praticare un foro di 110 mm di diametro al lato del pozzo.
3. Se il pozzo di ventilazione ha un muro con intercapedine, usare il tubo per muro per colmare l'intercapedine.
4. Montare il tubo e, se necessario, il raccoglitore di condensa. Posizionare il raccoglitore di condensa quanto più possibile vicino all'estrattore.

Per l'installazione a soffitto

1. **Controllare che non vi siano cavi o tubi all'interno del soffitto/travetti (ad. es. cavi elettrici, tubi del gas o dell'acqua). In caso di dubbio rivolgersi ad un tecnico specializzato.**
2. Praticare un foro di 115 mm di diametro.

Preparazione dell'estrattore

Per rimuovere il coperchio anteriore, premere i ganci situati sui lati dell'unità usando un cacciavite da 3 mm e tirando contemporaneamente il coperchio in avanti **L**

Montaggio dell'estrattore nel foro

Adottare le opportune precauzioni di sicurezza se si lavora al di sopra del livello del suolo.

Installazione a soffitto o a muro

Per segnare la posizione della piastra posteriore **E**

1. Tenere la piastra posteriore in modo che la morsettiatura risulti rivolta verso di voi nell'angolo in alto a sinistra ed il labbro punti verso il foro.
2. Inserire con cura il labbro nel tubo del muro/soffitto o pozzo di ventilazione.
3. Regolare la posizione della piastra posteriore in modo che risulti a filo.
4. Sul muro/soffitto o pozzo di ventilazione segnare le posizioni dei tre fori di fissaggio della piastra posteriore.
5. Rimuovere la piastra posteriore dal tubo.
6. Trapanare i fori per le viti in corrispondenza dei punti segnati e, se necessario, inserire i tasselli a espansione in plastica.

Montaggio della piastra posteriore **C**

1. Fissare la tenuta (RG100) spingendola contro il labbro della piastra posteriore **1**
2. **Se si installa l'estrattore al soffitto o nel pozzo di ventilazione**, inserire la tenuta spingendola sul tubo telescopico dalla parte dell'estremità più larga. Se necessario, tagliare prima il tubo in modo che risulti della lunghezza corretta.
3. *Se si effettuano i collegamenti dalla parte posteriore dell'estrattore, aprire il foro preformato, instradare il cavo dell'alimentazione attraverso l'apposito foro nella piastra posteriore e collegarlo ai morsetti **D***
4. *Se si effettuano i collegamenti dalla parte superiore dell'estrattore, lasciare il cavo libero nel labirinto.*
5. Inserire il labbro della piastra posteriore nel tubo del muro/soffitto o pozzo di ventilazione come indicato sopra.
6. Fissare la piastra posteriore al muro/soffitto o pozzo di ventilazione usando fissaggi idonei. Se si utilizzano viti si raccomanda di **non serrare eccessivamente**.

Montaggio della serranda di controtraggio posteriore

1. Rimuovere la carta adesiva dalla striscia di espanso fornita con l'estrattore ed attaccare la striscia dalla parte esterna del labbro sulla serranda di controtraggio posteriore.
2. Passare dalla parte esterna della parete. Tenendo aperte le bocche superiore ed inferiore, inserire il labbro nel tubo del muro.
3. Accertarsi che la serranda di controtraggio posteriore risulti a filo e segnare le posizioni dei due fori di fissaggio nell'angolo superiore destro ed inferiore sinistro.
4. Rimuovere la serranda di controtraggio dal tubo del muro.
5. Trapanare i fori in queste posizioni e fissare i restanti i tasselli a espansione.
6. Tenendo aperte le bocche superiore ed inferiore, inserire nuovamente la serranda di controtraggio posteriore e fissarla al muro usando le viti a punta autofilettanti. **Non serrare eccessivamente**.
7. Controllare che le bocche possano aprirsi e chiudersi liberamente.

Installazione a finestra o pannello

Chiusura a tenuta del foro **E**

1. Se si installa l'estrattore in una finestra o un pannello di spessore non superiore a 9 mm, montare la tenuta bianca in gomma attorno al foro. Per installare l'estrattore in un pannello o in una finestra a doppio vetro di spessore superiore a 9mm è necessario utilizzare l'apposito kit di installazione DXDG. Seguire le istruzioni fornite con il kit.

Fissaggio della serranda di controtraggio al distanziale **F**

1. Tenendo aperte le bocche superiore ed inferiore, inserire la serranda di controtraggio posteriore **2** nel distanziale in modo **3** che i fori di fissaggio nell'angolo superiore destro ed inferiore sinistro corrispondano a quelli del distanziale.

- Inserire due viti autofilettanti a punta piatta (fornite) nei fori di fissaggio e fissare la serranda di controtraggio posteriore al distanziale.

Montaggio dell'estrattore alla finestra **G**

- Farsi assistere da qualcuno per reggere in posizione la serranda di controtraggio posteriore ed il distanziale dalla parte esterna del vetro. Tenere il distanziale contro il vetro.
- Controllare che i due fori di fissaggio rialzati nei distanziali risultino orizzontali e siano posizionati dentro il foro.
- Dalla parte interna, tenere la piastra posteriore in modo che la morsettiere risulti rivolta verso di voi nell'angolo in alto a sinistra ed il labbro punti verso il foro.
- Allineare i fori della piastra posteriore con quelli del distanziale.
- Inserire due viti autofilettanti a punta piatta (fornite) nei fori di fissaggio e fissare la piastra posteriore al distanziale. **Non serrare eccessivamente le viti.**

Collegamenti elettrici

● Accertarsi che l'alimentazione di rete sia scollegata.

- Collegare l'estrattore come mostrato in **H** Fare riferimento allo schema relativo al proprio modello di estrattore. Se si collega il cavo dalla parte superiore, intradarlo tra le due spine rialzate e collegarlo alla morsettiere attraverso il labirinto.
- Scollegare l'alimentazione di rete e togliere i fusibili.**
- Collegare il cavo dal sezionatore al cablaggio dell'alimentazione di rete.

● Per i circuiti di cablaggio fissi, il fusibile protettivo per gli apparecchi non deve essere di amperaggio superiore a 5A.

Solo per il modello DXT100 **I**

- Per regolare il tempo di sovraccorsa, ruotare il selettore (T) in senso orario per aumentare il tempo ed in senso antiorario per diminuirlo.

Solo per il modello DX100H e DX100HP **J**

- L'impostazione di fabbrica per l'azionamento mediante igrostat è 70% r.h. (umidità relativa), ma il sensore può essere impostato tra il 50% ed il 90% r.h. (selettore H).
- L'impostazione di fabbrica per il ritardo è di circa 20 minuti. Questa impostazione può essere modificata mediante il selettore (T).
- Entrambi i selettori possono essere impostati in base alle necessità. Il tempo e l'umidità relativa possono essere aumentati o diminuiti ruotando i selettori rispettivamente in senso orario e antiorario.

Solo per il modello DX100PIR **K**

- Ruotare il selettore (T) in senso orario per aumentare il tempo di sovraccorsa ed in senso antiorario per diminuirlo.

Per tutti i ventilatori

- Se si effettua il collegamento dalla parte superiore dell'estrattore, aprire il foro preformato di ingresso

del cavo predisposto nella parte superiore del coperchio anteriore.

- Montare il coperchio anteriore allineando al tubo e spingendolo fino a fare scattare i ganci nelle fessure del coperchio

Uso dell'estrattore

Solo DX100 e DXVTD

- Accendere l'estrattore premendo l'interruttore di accensione/spengimento. Premere di nuovo l'interruttore per spegnere l'estrattore.

Solo DX100PC

- Accendere l'estrattore tirando e rilasciando il cordino. Ripetere per spegnere.

Solo DX100T

- Azionare l'estrattore mediante l'interruttore di accensione/spengimento. Dopo avere spento, l'estrattore continua a funzionare per il periodo impostato con il selettore di regolazione del ritardo di spegnimento.

Solo DX100H

- Modalità manuale:** azionare l'estrattore mediante l'interruttore di accensione/spengimento. Dopo avere spento, e trascorso il tempo programmato per il ritardo dello spegnimento, l'estrattore entra in modalità automatica (quando l'estrattore è in modalità manuale la spia si accende).
- Modalità automatica:** l'estrattore entra in funzione quando il tasso di umidità relativa aumenta e si spegne quando diminuisce.

Solo DX100PIR

- Il sensore rileva i movimenti nella stanza ed aziona l'estrattore. Quando il sensore rileva movimento, l'estrattore entra in funzione per un periodo preimpostato, trascorso il quale l'estrattore si spegne. Se il sensore rileva ulteriore movimento il ciclo ricomincia. In questo modo si garantisce un ambiente ventilato durante e dopo ogni soggiorno. **Quando si mette in funzione l'estrattore per la prima volta, è necessario un periodo di stabilizzazione di circa cinque minuti durante il quale l'estrattore funziona continuamente per due minuti.**

Pulizia (raccomandata una volta al mese)

TUTTE LE OPERAZIONI DI PULIZIA DEVONO ESSERE AFFIDATE AD UN ELETTRICISTA QUALIFICATO.

- Prima di procedere alla pulizia, isolare completamente l'estrattore dall'alimentazione di rete.
- Togliere il coperchio anteriore premendo i ganci posti sui lati dell'unità con un cacciavite da 3mm e tirando il coperchio in avanti **L**
- Pulire il coperchio anteriore con un panno umido non peloso oppure lavarlo in acqua tiepida e sapone. Asciugare completamente il coperchio anteriore prima di rimontarlo.
- Non immergere l'estrattore in acqua o in altri liquidi per pulire altri componenti.
- Non usare mai solventi aggressivi per pulire l'estrattore.
- A parte la pulizi

*Manual de
instalación e
instrucciones de
los extractores
para baño
Xpelair, modelos
DX100, DX100PC,
DX100T, DX100H,
DX100HP,
DX100PIR y
DX100VTD.*

Por favor, guarde este folleto junto con el extractor para beneficio del usuario.

Instalación del extractor

Estos electrodomésticos están diseñados para ser conectados mediante un cableado fijo. Compruebe que los requisitos eléctricos que figuran en cada extractor coincidan con los suministrados por la red eléctrica.

ESTOS ELECTRODOM...STICOS POSEEN AISLAMIENTO DOBLE Y NO ES NECESARIO QUE EST...N CONECTADOS A TIERRA.

Todas las instalaciones deberán ser supervisadas por un electricista debidamente cualificado. Las instalaciones y el tendido de cables deberán cumplir y satisfacer las Normativas IEE (Reino Unido) actualmente vigentes, las de ámbito local, o aquellas que sean de aplicación en otros países.

Si antes o después de instalar estos productos desea hacer alguna consulta, por favor llame a la línea de atención telefónica directa de Asistencia Técnica de Xpelair: +44 (0) 8709 000430, en la que nuestros ingenieros estarán encantados de atenderle personalmente en horario laboral normal (sólo para el Reino Unido). Siempre podrá remitirnos durante las 24 horas del día un fax con sus consultas al número +44 (0) 8709 000530.

Aquellos clientes que no residan en el Reino Unido deberán ponerse en contacto con su distribuidor local de Xpelair.

Descripción

Los extractores Xpelair poseen las siguientes características:

- Kit de montaje universal que permite el montaje en pared, en panel, en ventanas, en respiraderos o en techo.
- Velocidad única de extracción.

DX 100

- Permite operar el extractor mediante un conmutador de pared de encendido/apagado (no se suministra).

DX 100PC

- Permite operar el extractor mediante un cable retraíble integrado en el mismo.

DX 100T

- Su temporizador incorporado activa automáticamente el extractor en períodos predeterminados de hasta 30 minutos.

DX 100H

- Se pone en funcionamiento automáticamente cuando se dispara su sensor de humedad (higrostat) o cuando se pulsa el conmutador de encendido (los indicadores luminosos del extractor informan si está funcionando en modo manual)

DX 100HP

- Se pone en funcionamiento automáticamente cuando se dispara su sensor de humedad (higrostat) o cuando se enciende utilizando

el cable retraíble incorporado en el extractor (los indicadores luminosos del extractor informan si está funcionando en modo manual). El temporizador hace funcionar automáticamente el extractor en períodos predeterminados de hasta 20 minutos.

DX 100PIR

- El sensor de movimiento integrado en el extractor lo pone en funcionamiento siempre que se detecta movimiento en el recinto o sala en el que está instalado el extractor. El temporizador hace funcionar automáticamente el extractor en períodos predeterminados de hasta 20 minutos.

DX 100VTD

- El extractor se activa a través de un conmutador de pared de encendido/apagado (no suministrado). No empezará a funcionar hasta que hayan transcurrido unos 2,5 minutos (+/- 27%). Pasado este tiempo, el extractor comenzará a funcionar. Si se apaga el extractor, éste seguirá funcionando aproximadamente unos 7,5 minutos (+/- 27%).

Material necesario para la instalación

- Dispositivo de aislamiento de doble polo, con una distancia de contacto mínima de 3 mm (para el montaje en pared o en techo).
- **Si los conmutadores son de cajado metálico, se deberá seguir la normativa sobre conexiones a tierra.**
- Cable nominal de 2 hilos adecuado (para los modelos DX100, DX100PC, DX100HP y DX100PIR).
- Cable nominal de 3 hilos adecuado (para los modelos DX100T, DX100H y DX100VTD).
- Atornillador de electricista de 3 mm y atornillador Pozdriv del número 1 ó del 2.
- Conmutador de pared o de techo de encendido/apagado con luz indicadora incorporada (para los modelos DX100, DX100T y DX100VTD).
- **Siempre que en las proximidades del extractor existan cañerías situadas por encima del extractor, y con el fin de prevenir posibles situaciones de peligro derivadas de entradas de agua en el aparato, es preciso instalar una trampa de condensación (Xpelair/N XCT100) en un lugar lo más cercano posible al mismo.**

Material adicional para montaje en pared

- Se precisa un berbiqui de mampostería, un martillo y un buril (o si está disponible, una taladradora de tubo).
- En caso de que sea necesario, mezcla de mortero o argamasa para el reajuste del orificio.

Material adicional necesario para montaje en ventana

- Se necesita un cristal de ventana de un grosor mínimo de 3 mm y máximo de 6 mm (preferiblemente de 4 mm).
- Si el área del cristal de ventana es superior a

los 0,2 m2 no utilice cristal de 3 mm de espesor.

- Si la instalación se va a realizar en una ventana de doble acristalamiento, se deberá obtener del fabricante de la ventana una unidad especialmente diseñada para estos casos. También podrá solicitar el kit especial con referencia de catálogo Xpelair: DXDG.
- Si la instalación va a tener lugar en ventanas correderas de desplazamiento vertical, se deberá instalar el extractor en la ventana superior. Asegure el marco superior en su posición de cierre e instale topes justo debajo del extractor para evitar que se dañe cuando se suba la ventana.
- Si el extractor se va a instalar en un panel de un grosor situado entre los 9 mm y los 46 mm, necesitará el kit especial con referencia de catálogo DXDG. No instale estos extractores en ningún panel cuyo grosor sea superior a los 46 mm.

Montaje en el techo

Será preciso utilizar accesorios especiales para su acabado. Estos artículos los puede solicitar a Xpelair.

1. WT10 - kit de acabado de tubos
2. CFWG100 - rejilla de acabado (blanca o marrón)
3. FD100 / 3 y FD100 / 6 - Tubos flexibles.

Dónde instalar el extractor

- Sitúe el extractor en un lugar lo más elevado posible.
- Entre los bordes de la superficie de montaje y el punto central del orificio debe mediar como mínimo una distancia de 110 mm.
- Coloque el extractor lo más lejos posible y enfrente de la fuente principal de renovación de aire para asegurar que el flujo de aire pase adecuadamente por toda la sala.
- Ponga el extractor lo más cerca posible de las fuentes de vapor o de olores.
- **No instale el extractor en lugares en los que la temperatura ambiente pueda superar los 50°C.**
- Si se instala en una cocina, el extractor no se deberá instalar justo encima de los hornillos o de la parrilla.
- Si el extractor se va a instalar en una sala en la que exista algún aparato que consuma combustible y que no tenga un tubo de humos equilibrado, será responsabilidad del instalador asegurar que en dicha sala exista una suficiente renovación de aire que impida que los humos se queden en el tubo cuando el extractor funcione a su máxima potencia. Consulte la Normativa sobre Construcción de Edificios para determinar los requisitos específicos.
- El aire extraído no se deberá eliminar por los mismos conductos que se eliminan los humos procedentes de aparatos que utilizan una fuente energética distinta de la eléctrica. Se deberán observar todas las ordenanzas y regulaciones promulgadas

por las autoridades competentes relativas a la evacuación y entrada de aire, así como sobre las tasas de flujo de aire.

- Si se pretende instalar el extractor en un lugar en el que la atmósfera pueda contener compuestos químicos corrosivos, consulte con nuestro Departamento de Servicio Técnico. (En mercados extranjeros, consulte con el distribuidor Xpelair local).
- Sólo para el modelo DX100PIR: Coloque el extractor en una posición que asegure la detección del movimiento. Se deberá poner especial atención a que los rayos detectores no encuentren ninguna obstrucción que pueda afectar al funcionamiento del sensor de movimiento **A**.

Instalación de los cables y del dispositivo de aislamiento

1. Compruebe que las especificaciones eléctricas que figuran en la placa de la parte posterior del aparato coinciden con las de su red de suministro eléctrico.
2. Verifique que por detrás del lugar elegido para situar el aparato no hay cañerías de agua o gas o cables eléctricos empotrados en la pared o en el techo. En caso de duda, requiera el asesoramiento de un profesional.
3. Aísle la toma de corriente.
4. Tienda el cable desde el dispositivo de aislamiento hasta el lugar en el que está el extractor, y en caso necesario, hágalo a través del conmutador de encendido/apagado.
5. Tienda el cable desde el dispositivo de aislamiento hasta el punto de conexión con la red eléctrica.
6. Instale el dispositivo de aislamiento, y si es necesario, instale también el conmutador de encendido/apagado.
7. Realice todas las conexiones en el interior del dispositivo de aislamiento. Si es necesario, hágalo también en el conmutador de encendido/apagado.

Nota: el conmutador de encendido/apagado se debe situar en un lugar que no pueda ser tocado, ni siquiera accidentalmente, por las personas que utilizan el baño o las duchas.

ATENCIÓN: EN ESTA ETAPA NO REALICE NINGUNA CONEXIÓN A LA RED ELÉCTRICA.

Sólo para Australia: Modelos DX100, DX100PC, DX100HP y DX100

La conexión a la red eléctrica se puede llevar a cabo mediante un cable flexible de 2 hilos continuo con un enchufe de 3 patillas que permita la adecuada inserción en un GPO de 10 amperios aprobado, o bien se puede cablear directamente a través de un dispositivo de superficie de montaje en pared aprobado de 10 amperios con una distancia mínima entre contactos de 3 mm.

Sólo para Australia: Modelos DX100T, DX100H y DX100VTD

Estos modelos están permanentemente

Por favor, guarde este folleto junto con el extractor para beneficio del usuario.

conectados a la red eléctrica y su funcionamiento se controla mediante un dispositivo remoto. Deben estar directamente cableados a la red eléctrica a través de un dispositivo de superficie de montaje en pared aprobado de 10 amperios con una distancia mínima entre contactos de 3 mm

ATENCIÓN: IMPIDA QUE LOS NIÑOS JUEGUEN CON ESTE ELECTRODOMÉSTICO Y ASEGRESE DE QUE SE VIGILA A LOS NIÑOS PEQUEÑOS Y A LAS PERSONAS CON DISCAPACIDADES MENTALES SITUADAS EN LAS PROXIMIDADES DEL MISMO.

Preparación del orificio de montaje

Se deberán tomar precauciones especiales al trabajar en lugares situados por encima del nivel del suelo.

ATENCIÓN: SE DEBERÁN UTILIZAR GAFAS PROTECTORAS DURANTE TODAS LAS OPERACIONES EN LAS QUE SE UTILICE UNA TALADRADORA O UN BURIL.

Instalación sobre muro

1. Compruebe que la pared no contiene en su interior cañerías, cañerías o conductos de cualquier tipo, y que en el exterior no existen elementos que puedan obstruir, por ejemplo, electricidad, gas o agua. En caso de duda, requiera el asesoramiento de un profesional.
2. Marque en la pared el centro geométrico del orificio.
3. Utilice este punto marcado para dibujar un círculo que se ajuste al diámetro del tubo de pared (115 mm de diámetro).

En caso de disponer de una taladradora de tubo:

- 4a. Utilícela según las instrucciones proporcionadas por el fabricante.

Si no se dispone de una taladradora de tubo:

- 4b. Haga un taladro central que atraviese la pared.
5. Corte el orificio. No atraviese directamente la pared. El método recomendado es realizar una serie de taladros muy próximos entre sí alrededor de la línea de corte y quitar la mampostería existente entre los taladros con un buril.
6. Salga al exterior y corte un orificio en la pared exterior, repitiendo el proceso anteriormente descrito.
7. Si es necesario, corte un tubo de la longitud adecuada. El tubo mural que se suministra es telescópico y se puede estirar hasta un máximo de 300 mm.
8. Fije el tubo. Asegúrese de que el tubo tiene la suficiente caída y está lo suficientemente lejos y por debajo del extractor para que pueda drenarse en el caso de que entre agua de lluvia desde el exterior.
9. Repare el orificio. Deje fraguar el mortero antes de seguir con la instalación del extractor.

Instalación en ventana o en panel

1. Corte un orificio de 125 mm de diámetro. Si la instalación se va a realizar en una ventana, consiga un cristal ya cortado.
2. El punto central del orificio debe distar como mínimo 110 mm de los bordes del panel o del cristal.

Instalación en un respiradero

1. Compruebe que el respiradero no contiene cables o cañerías empotradas. En caso de duda, solicite asesoramiento de un profesional.
2. Corte un orificio de 110 mm en la parte lateral del respiradero.
3. Si el respiradero está aislado con doble pared, utilice el tubo mural para traspasar el hueco entre paredes del respiradero.
4. Fije el tubo, y si es necesario, fije también la trampa de condensación, situándola lo más próxima posible al extractor.

Instalación en el techo

1. Compruebe que ni en el techo ni en las viguetas existen cables empotrados. En caso de duda, solicite asesoramiento a un profesional.
2. Corte un orificio de 115 mm de diámetro.

Preparación del extractor para su instalación

Quite la cubierta delantera presionando con un atornillador de 3 mm sobre las pestañas situadas en los laterales de la unidad, a la vez que tira hacia delante de la cubierta delantera **L**

Montaje del extractor en el orificio

Si se trabaja por encima del nivel del suelo se deberán tomar las adecuadas medidas de seguridad.

Instalación en pared, en techo o en respiradero

Marque la posición de la placa trasera **B**

1. Sostenga la placa trasera de forma que el bloque terminal mire hacia Ud. en la esquina superior izquierda, con el reborde dirigido hacia el orificio.
2. Inserte cuidadosamente el reborde en el tubo de pared / techo o en el respiradero.
3. Ajuste la posición de la placa trasera hasta nivelarla convenientemente.
4. Marque en la pared, el techo o en el respiradero las posiciones de los agujeros de montaje situados en la placa trasera.
5. Quite la placa trasera del tubo.
6. Taladre agujeros para los tornillos en estas posiciones, y si es preciso, inserte tacos de fijación.

Monte la placa trasera **C**

1. Presione la junta acanalada (RG100) sobre el reborde de la placa trasera **1**
2. **Si la instalación se va a realizar en el techo o en un respiradero**, presione la pieza de mayor diámetro del tubo telescópico sobre la junta acanalada. En caso necesario, corte primero el tubo a la medida adecuada.

3. Si los cables deben entrar en el extractor desde atrás, abra el orificio ciego, introduzca los cables a través del orificio de entrada situado en la placa trasera y llévelos hasta los terminales de conexión **D**.
4. Si los cables deben entrar desde arriba, deje el cable libre para fijarlo en el interior del laberinto.
5. Inserte el reborde de la placa trasera en el tubo de pared / techo/ respiradero tal como se describe anteriormente.
6. Asegure la placa trasera a la pared / techo / respiradero mediante dispositivos de fijación adecuados. Si se utilizan tornillos, **no los pase de rosca al atornillarlos.**

Montaje del obturador posterior

1. Quite el papel del burlete de espuma que se suministra y adhiéralo alrededor del exterior del reborde del obturador posterior.
2. Salga afuera. Mantenga abiertas las aspas superior e inferior e inserte el reborde en el tubo de pared.
3. Compruebe que el obturador posterior está convenientemente nivelado, marque las posiciones de los dos orificios de fijación, situados en las esquinas superior derecha e inferior izquierda.
4. Quite el obturador posterior del tubo de pared.
5. Taladre orificios para tornillos en estas posiciones y fije los restantes tacos de pared.
6. Mientras mantiene abiertas las aspas superior e inferior, vuelva a colocar el obturador posterior y fíjelo a la pared con los tornillos. No los pase de rosca.
7. Compruebe que las aspas se abren y cierran con libertad.

Instalación en una ventana o en un panel

Sellado del orificio **E**

1. Si la instalación se va a realizar en una ventana o en un panel de grosor no superior a los 9 mm, coloque la arandela de goma blanca en el borde del orificio. Si la instalación se lleva a cabo en un panel o en una ventana de doble acristalamiento de grosor superior a los 9 mm, es preciso utilizar el kit DXGD. Siga las instrucciones que vienen con este kit especial.

Fije el obturador posterior al separador **F**

1. Sostenga las aspas superior e inferior, inserte el obturador posterior **2** en el separador **3** de forma que los taladros de fijación situados en las esquinas superior derecha e inferior izquierda coincidan con los del separador.
2. Inserte dos de los tornillos de punta plana que se suministran para fijar el obturador posterior al separador.

Monte el extractor en la ventana **G**

1. Desde el exterior otra persona debe sujetar en su posición el obturador posterior y el separador, con el separador apoyado en el cristal.
2. Compruebe que los dos taladros elevados de fijación del separador están situados horizontalmente y dentro del orificio.
3. Desde el interior, sostenga la placa trasera de

manera que el bloque terminal esté situado de cara hacia Ud. en la esquina superior izquierda y con el reborde dirigido hacia ese taladro.

4. Alinee los taladros de la placa trasera con los del separador.
5. Inserte dos de los tornillos de extremo plano que se suministran en los orificios de sujeción, y fije la placa trasera al separador. **No pase de rosca los tornillos.**

Conexiones eléctricas

- **Asegúrese de que la toma de electricidad está convenientemente aislada.**

1. Tienda los cables tal como se observa en la figura **H** y compruebe el diagrama del modelo. Si el cableado se tiende desde arriba, introduzca el cable entre las dos espuillas y llévelo a lo largo del laberinto hasta alcanzar el bloque de terminales de conexión.
 2. **Apague el conmutador principal de la red y quite los fusibles.**
 3. Conecte el cable procedente del dispositivo de aislamiento a los cables de la red eléctrica.
- **En el caso de que el aparato se conecte directamente a la red eléctrica sin que medie ningún conmutador de encendido/apagado, el fusible de protección del aparato no debe superar los 5 amperios.**

DX100 sólo **L**

- El ajuste del período de funcionamiento adicional tras el apagado se realiza con el mando (T). Gírelo en sentido horario para incrementar el período, y en sentido antihorario para reducirlo.

DX100H & DX100HP sólo **J**

- La humedad se fija en fábrica aproximadamente al 70% de Humedad Relativa (HR), pero puede ajustarse entre un 50% y un 90% con el mando (H).
- El tiempo de retardo se fija en fábrica aproximadamente en 20 minutos, pero puede ajustarse con el mando (T).
- Se pueden ajustar los dos mandos. Gire los mandos en sentido horario para incrementar el tiempo o la HR, y en sentido antihorario para reducirlos.

DX100 sólo **K**

- Ajuste del período de funcionamiento con el mando (T). Gire el destornillador en sentido horario para incrementar el período y en sentido antihorario para reducirlo.

TODOS LOS EXTRACTORES

- Si se cablea desde arriba, corte la ranura de entrada del cable que está marcada en la parte superior de la cubierta delantera.
- Coloque la cubierta delantera ajustándola al conducto y empujándola hacia el mismo hasta que el disparador emita un golpe seco al unirse a las ranuras de la cubierta delantera.

Utilización del extractor

DX100 & DX100VTD sólo

* Encienda el extractor mediante un interruptor de

Por favor, guarde este folleto junto con el extractor para beneficio del usuario.

encendido/apagado.
Haga lo mismo para apagar el aparato.

DX100PC sólo

- Encienda el extractor tirando del cable y soltándolo después. Haga lo mismo para apagar el aparato.

DX100T sólo

- Encienda el extractor mediante un interruptor de encendido/apagado. Cuando el interruptor está en posición de apagado, el extractor continúa funcionando durante el tiempo de retardo ajustable.

DX100H sólo


- **Modo manual:** utilice el interruptor de encendido/apagado. Cuando apague el extractor, éste pasará al modo automático cuando haya acabado el tiempo de retardo (una luz le indicará si el extractor está en modo manual).
- **Modo automático:** el extractor se enciende cuando aumenta la humedad relativa y se apaga cuando ésta vuelve a bajar.

DX100PIR sólo

- El sensor detecta cualquier movimiento que tenga lugar en la habitación y enciende el extractor. Cuando se detecta un movimiento, el extractor se enciende durante un período de tiempo adicional prefijado que se volverá a activar si se detectan más movimientos. Esto permite que la habitación esté ventilada sólo mientras alguien la esté utilizando (y justo después). **La primera vez que se instala el extractor, tendrá lugar un período de adaptación que durará aproximadamente cinco minutos. Durante este tiempo, el extractor funcionará hasta un máximo de dos minutos.**

Limpieza (se recomienda una vez al mes)

LA LIMPIEZA DEL EXTRACTOR DEBERÁ SER REALIZADA POR UN ELECTRICISTA CUALIFICADO.

1. Antes de limpiar el extractor, desconéctelo por completo de la alimentación eléctrica.
2. Retire la cubierta delantera presionando el pestillo del disparador situado a los lados de la unidad con un destornillador de 3 mm, mientras tira de la cubierta delantera hacia delante .
3. Puede limpiar la cubierta delantera con un paño húmedo y sin hilos, o también puede lavarla con agua caliente y jabón. Seque bien la cubierta delantera y vuelva a colocarla.
4. No introduzca el extractor en agua o en cualquier otro líquido para limpiar otras partes del mismo.
5. No utilice nunca disolventes fuertes para limpiar el extractor.
6. No hay ningún requisito de mantenimiento aparte de la limpieza.



Xrelair Ανεμιστήρες τουαλέτας- μπάνιου DX100, DX100PC, DX100T, DX100H, DX100HP, DX100PIR & DX100VTD

Οδηγίες εγκατάστασης και λειτουργίας
Παρακαλείσθε ν' αφήσετε το φυλλάδιο αυτό με τον εξεριστήρα, για να το συμβουλευέται ο χρήστης

Εγκατάσταση του εξεριστήρα

Οι συσκευές αυτές προορίζονται για σύνδεση σε σταθερή καλωδίωση. Βεβαιωθείτε ότι η ηλεκτρική διαβάθμιση που αναγράφεται στον κάθε εξεριστήρα ανταποκρίνεται προς την ηλεκτρική παροχή.

ΟΙ ΣΥΣΚΕΥΕΣ ΑΥΤΕΣ ΕΙΝΑΙ ΔΙΠΛΟΜΟΝΩΜΕΝΕΣ ΚΑΙ ΔΕΝ ΧΡΕΙΑΖΟΝΤΑΙ ΓΕΙΩΣΗ.

Κάθε εγκατάσταση πρέπει να επιβλέπεται από ειδικευμένο ηλεκτρολόγο. Οι εγκαταστάσεις και καλωδιώσεις πρέπει να συμμορφώνονται προς τους τρέχοντες Κανονισμούς του ΙΕΕ (στο Ηνωμένο Βασίλειο), και τους εθνικούς ή σχετικούς κανονισμούς (σε άλλες χώρες).

Αν έχετε οποιοσδήποτε ερωτήσεις πριν την εγκατάσταση των συσκευών αυτών ή μετά την εγκατάστασή τους, καλέστε τη Γραμμή Τεχνικής Υποστήριξης της Xrelair +44 (0) 8709 000430. Οι μηχανικοί μας βρίσκονται εκεί για να σας βοηθήσουν κατά τη διάρκεια των κανονικών ωρών γραφείου (μόνο στο Ηνωμένο Βασίλειο) και μπορείτε να τους στείλετε φαξ κατά τις υπόλοιπες ώρες στο +44 (0) 8709 000530.

Οι πελάτες έξω από το Ηνωμένο Βασίλειο, παρακαλούνται να αποστέλλονται στους κατά τόπους διανομείς της Xrelair.

Περιγραφή

Οι εξεριστήρες Xrelair έχουν τα πιο κάτω χαρακτηριστικά:

- Γενικής χρήσης εξάρτημα εγκατάστασης επιτρέπει επιλογές τοποθέτησης σε παράθυρο, πάνελ τοίχου, αγωγό εξαερισμού και ταβάνι.
- Εξαγωγή μίας ταχύτητας.

DX100

- Ο εξεριστήρας λειτουργεί με τη χρήση διακόπτη on/off (που δεν παρέχεται).

DX100PC

- Ο εξεριστήρας λειτουργεί με τη χρήση ενσωματωμένου κορδονιού τραβήγματος.

DX100T

- Ενσωματωμένος χρονορρυθμιστής λειτουργεί αυτόματα τον εξεριστήρα με προρυθμισμένη καθυστέρηση 30 λεπτών.

DX100H

- Λειτουργεί είτε με αυτόματη ενεργοποίηση από τον αισθητήρα υγρασίας είτε με εκκίνηση από τον διακόπτη on/off (φωτάκι δείχνει πότε ο εξεριστήρας λειτουργεί με τον μη αυτόματο τρόπο).

DX100HP

- Λειτουργεί είτε με αυτόματη ενεργοποίηση από τον αισθητήρα υγρασίας είτε με εκκίνηση χρησιμοποιώντας τον ενσωματωμένο διακόπτη με κορδόνι τραβήγματος (φωτάκι δείχνει πότε ο εξεριστήρας λειτουργεί με τον μη αυτόματο τρόπο). Ενσωματωμένος χρονορρυθμιστής λειτουργεί αυτόματα τον εξεριστήρα με

προρυθμισμένη καθυστέρηση 20 λεπτών.

DX100PIR

- Ενσωματωμένος αισθητήρας σωματικής κίνησης θέτει σε λειτουργία τον εξεριστήρα κάθε φορά που επισημαίνεται κίνηση. Ενσωματωμένος χρονορρυθμιστής λειτουργεί αυτόματα τον εξεριστήρα με προρυθμισμένη καθυστέρηση 20 λεπτών.

DX100VTD

- Ο εξεριστήρας λειτουργεί με τη χρήση διακόπτη on/off (που δεν παρέχεται). Ο εξεριστήρας δεν πρόκειται να ξεκινήσει για περίπου 2,5 λεπτά (+/- 27%). Όταν περάσει ο χρόνος αυτός, ο εξεριστήρας θα ξεκινήσει. Όταν κλείσετε τον διακόπτη του, ο εξεριστήρας θα συνεχίσει να λειτουργεί για περίπου 7,5 λεπτά (+/- 27%).

Τι θα χρειαστεί αυτός που κάνει την εγκατάσταση

- Διπολικό μονωτικό διακόπτη με ελάχιστο κενό επαφής 3 χλστ. (τοποθετημένο σε τοίχο ή ταβάνι).
- Όταν χρησιμοποιούνται μεταλλικά κιβώτια διακοπών, πρέπει να εφαρμόζονται οι κανονισμοί γείωσης.
- Κατάλληλα διαβαθμισμένο καλώδιο 2 πυρήνων (DX100, DX100PC, DX100HP και DX100PIR).
- Κατάλληλα διαβαθμισμένο καλώδιο 3 πυρήνων (DX100T, DX100H και DX100VTD).
- Κατσαβίδι ηλεκτρολόγου 3 χλστ. και κατσαβίδια Pozdriv No. 1 & 2.
- Διακόπτη «on/off» τοίχου ή ταβανιού με ενσωματωμένη φωτεινή ένδειξη (DX100, DX100T και DX100VTD).
- Για την αποφυγή πιθανής επικίνδυνης κατάστασης από εισροή νερού, πρέπει να τοποθετείται παγίδα υγραποίησης (Xrelair no. XCT100) όσο το δυνατό πιο κοντά στον εξεριστήρα, σε όλες τις καταστάσεις που οποιοδήποτε τμήμα των δικτύου αγωγών είναι τοποθετημένο πιο ψηλά από τον ίδιο εξεριστήρα.

Αν ο εξεριστήρας πρόκειται να τοποθετηθεί σε τοίχο, θα χρειαστείτε επίσης

- Τρυπάνι τοίχου, σφυρί & σμίλη (ή εξοπλισμό σωληνωτού τρυπανιού, αν υπάρχει).
- Κονίαμα για να στερεωθεί καλά η τρύπα, αν απαιτείται.

Αν ο εξεριστήρας πρόκειται να τοποθετηθεί σε παράθυρο

- Θα χρειαστείτε τζάμι πάχους μεταξύ 3 χλστ. και 6 χλστ. (κατά προτίμηση 4 χλστ.).
- Μην το εγκαταστήσετε σε γυαλί πάχους 3 χλστ. αν το εμβαδόν του τζαμιού είναι πάνω από 0,2 τ.μ.
- Αν η εγκατάσταση γίνεται σε σφραγισμένο διπλό τζάμι, πρέπει να προμηθευθείτε ειδικά κατασκευασμένο τζάμι από τον κατασκευαστή. Θα χρειαστείτε επίσης ειδικό εξάρτημα, που μπορείτε να το

προμηθευθείτε αναφέροντας τα στοιχεία «Xrelair Cat. ref. DXDG».

- Αν η εγκατάσταση γίνεται σε παράθυρα που ανυψώνονται κατακόρυφα, πρέπει να τοποθετήσετε τον εξαεριστήρα στο πάνω παράθυρο. Στερεώστε το πάνω παράθυρο στην κλειστή θέση και τοποθετήστε τεμάχια ακινητοποίησης ακριβώς κάτω από το επίπεδο του εξαεριστήρα, για να μην του προκαλείται βλάβη κατά την ανύψωση του παραθύρου.
- Αν η εγκατάσταση γίνεται σε πάνελ που έχει πάχος μεταξύ 9 χλστ. και 46 χλστ., θα χρειαστείτε ειδικό εξάρτημα, που μπορείτε να το προμηθευθείτε αναφέροντας τα στοιχεία «Xrelair Cat. ref. DXDG». Μην τοποθετείτε τους εξαεριστήρες αυτούς σε πάνελ του οποίου το πάχος ξεπερνάει τα 46 χλστ.

Αν ο εξαεριστήρας πρόκειται να τοποθετηθεί σε ταβάνι

Θα χρειαστεί να χρησιμοποιήσετε τα κατάλληλα βοηθητικά για τερματισμό. Τα αντικείμενα αυτά διατίθενται από την Xrelair.

- 1.WT10 - Εξάρτημα αγωγού τερματισμού.
2. CFWG100 - Κιγκλίδωμα τερματισμού πίνακα Soffit (άσπρο ή καφέ).
- 3.FD100 / 3 και FD100 / 6 - Εύκαμπτος αγωγός.

Πού να τοποθετήσετε τον εξαεριστήραfan

- Τοποθετήστε τον όσο το δυνατό πιο ψηλά.
- Οι άκρες της επιφάνειας τοποθέτησης να απέχουν τουλάχιστο 110 χλστ. από το κέντρο της τρύπας.
- Όσο το δυνατό πιο μακριά και απέναντι από την κύρια πηγή ανανέωσης του αέρα για να εξασφαλίζεται ροή αέρα μέσα στο δωμάτιο (π.χ. απέναντι από μια εσωτερική πόρτα).
- Κοντά στην πηγή του ατμού ή της μυρωδιάς.
- **Όχι σε σημεία όπου η περιβαλλοντική θερμοκρασία είναι δυνατό να υπερβεί τους 50°C.**
- Αν η εγκατάσταση γίνεται σε κουζίνα, ο εξαεριστήρας δεν πρέπει να τοποθετείται ακριβώς πάνω από τα μάτια της κουζίνας ή πάνω από σχάρα επιπέδου ματιών.
- Αν η εγκατάσταση γίνεται σε δωμάτιο που περιέχει συσκευή η οποία καταναλώνει καύσιμο και έχει μη ισορροπημένο καπναγωγό, αποτελεί ευθύνη του προσώπου που κάνει την εγκατάσταση να διασφαλίσει ότι υπάρχει ικανοποιητική ανανέωση αέρα για να αποφεύγεται η αναρρόφηση αερίων από τον καπναγωγό όταν ο εξαεριστήρας λειτουργεί με το μέγιστο ρυθμό εξαγωγής. Συμβουλευθείτε τους Οικοδομικούς Κανονισμούς για συγκεκριμένες απαιτήσεις.
- Ο εξαγόμενος αέρας δεν πρέπει να απελευθερώνεται σε καπναγωγό που χρησιμοποιείται για την εξαγωγή αερίων από

συσκευές που τροφοδοτούνται με ενέργεια άλλη από τον ηλεκτρισμό. Πρέπει να εφαρμόζονται οι απαιτήσεις όλων των ενδιαφερομένων αρχών σχετικά με την εξαγωγή αέρα και τους ρυθμούς ροής του εισαγόμενου αέρα.

- Όταν προορίζεται για χρήση σε πιθανώς χημικές οξειδωτικές ατμόσφαιρες, συμβουλευθείτε το Τμήμα Τεχνικής Εξυπηρέτησης της εταιρείας μας. (Για τις αγορές του εξωτερικού, απευθύνεστε στο διανομέα της Xrelair στην περιοχή σας).
- **DX100PIR μόνο:** Το σημείο τοποθέτησης πρέπει να εξασφαλίζει την ανίχνευση κάθε κίνησης. Πρέπει να επιδεικνύεται προσοχή για να αποφεύγονται τα εμπόδια που είναι δυνατό να επηρεάσουν τις ανιχνευτικές δέσμες **A**.

Εγκατάσταση των απομονωτικών διακοπών και καλωδίων

1. Βεβαιωθείτε ότι η ηλεκτρική διαβάθμιση που αναγράφεται στο εσωτερικό της πισινής πλάκας ανταποκρίνεται προς την ηλεκτρική παροχή.
2. Βεβαιωθείτε ότι δεν υπάρχουν θαμμένοι σωλήνες ή καλώδια, π.χ. του νερού, του γκαζιού, του ηλεκτρισμού, μέσα από το σημείο όπου βρίσκεται ο διακόπτης (στον τοίχο ή πάνω από το ταβάνι). Αν αμφιβάλλετε, ζητήστε συμβουλή από ειδικό.
3. Απομονώστε την ηλεκτρική παροχή.
4. Τοποθετήστε το καλώδιο από τον απομονωτικό διακόπτη ως το σημείο όπου βρίσκεται ο εξαεριστήρας μέσω του διακόπτη on/off (αν απαιτείται).
5. Τοποθετήστε το καλώδιο από τον απομονωτικό διακόπτη ως το σημείο σύνδεσης στην ηλεκτρική παροχή.
6. Εγκαταστήστε τον απομονωτικό διακόπτη και τον διακόπτη on/off (αν απαιτείται).
7. Κάνετε όλες τις συνδέσεις μέσω στον απομονωτικό διακόπτη και τον διακόπτη on/off (αν απαιτείται).

Σημείωση: Ο διακόπτης on/off πρέπει να τοποθετείται σε σημείο όπου δεν μπορούν να τον αγγίξουν τα πρόσωπα που χρησιμοποιούν το μπάνιο ή το ντους.

ΠΡΟΕΙΔΟΠΟΙΗΣΗ: ΜΗΝ ΚΑΝΕΤΕ ΚΑΜΙΑ ΣΥΝΔΕΣΗ ΣΤΗΝ ΗΛΕΚΤΡΙΚΗ ΠΑΡΟΧΗ Σ' ΑΥΤΟ ΤΟ ΣΤΑΔΙΟ.

Μόνο για την Αυστραλία (DX100, DX100PC, DX100HP & DX100PIR)

Η σύνδεση στην ηλεκτρική παροχή μπορεί να γίνει με εύκαμπτο καλώδιο 2 πυρήνων και πρίζα 3 προεξοχών για εισαγωγή σε εγκρεμμένο GPO των 10 αμπερ ή με άμεση καλωδίωση μέσω εγκρεμμένου διακόπτη 10 αμπερ για εγκατάσταση σε επιφάνεια τοίχου, με κενό τουλάχιστον 3 χλστ. μεταξύ των επαφών.

Μόνο για την Αυστραλία (DX100T, DX100H & DX100VTD)

Τα μοντέλα αυτά είναι μόνιμα συνδεδεμένα στην παροχή και η λειτουργία ελέγχεται με τηλεδιακόπτη. Πρέπει να έχουν άμεση

*Χρηλαίρ
Ανεμιστήρες
τουαλέτας-
μπάνιου DX100,
DX100PC,
DX100T,
DX100H,
DX100HP,
DX100PIR &
DX100VTD*

Οδηγίες εγκατάστασης και λειτουργίας
Παρακαλείσθε ν' αφήσετε το φυλλάδιο αυτό με τον εξεριστήρα, για να το συμβουλευέται ο χρήστης

καλωδίωση προς την παροχή μέσω εγκεκριμένου διακόπτη των 10 αμπερ για εγκατάσταση σε επιφάνεια τοίχου, με κενό τουλάχιστον 3 χλστ. μεταξύ των επαφών.

ΠΡΟΕΙΔΟΠΟΙΗΣΗ: ΤΑ ΠΑΙΔΙΑ ΔΕΝ ΠΡΕΠΕΙ ΝΑ ΠΑΙΖΟΥΝ ΜΕ ΤΗ ΣΥΣΚΕΥΗ. ΤΑ ΜΙΚΡΑ ΠΑΙΔΙΑ ΚΑΙ ΟΙ ΑΔΥΝΑΤΟΙ ΠΡΕΠΕΙ ΝΑ ΕΠΙΒΛΕΠΟΝΤΑΙ.

Ετοιμασία της τρύπας

Αν θα δουλέψετε πάνω από το επίπεδο του πατώματος, πρέπει να ληφθούν κατάλληλα προστατευτικά μέτρα.

ΠΡΟΕΙΔΟΠΟΙΗΣΗ: ΠΡΕΠΕΙ ΝΑ ΦΟΡΑΤΕ ΠΡΟΣΤΑΣΙΑ ΓΙΑ ΤΑ ΜΑΤΙΑ ΚΑΘΕ ΦΟΡΑ ΠΟΥ ΤΡΥΠΑΤΕ Ή ΣΜΙΛΕΥΕΤΕ.

Αν η εγκατάσταση γίνεται σε τοίχο

1. Βεβαιωθείτε ότι δεν υπάρχουν θαμμένοι σωλήνες ή καλώδια στον τοίχο ή εμπόδια στο εξωτερικό, π.χ. ηλεκτρισμός, γκάζι, νερό.

Αν αμφιβάλλετε, ζητήστε συμβουλή από ειδικό.

2. Σημαδεύστε στον τοίχο το κέντρο της τρύπας του αγωγού.

3. Χρησιμοποιήστε το κέντρο αυτό για να σχεδιάσετε ένα κύκλο που να ταιριάζει με τον αγωγό του τοίχου (διαμέτρου 115 χλστ.)

Αν υπάρχει εξοπλισμός σωληνωτού τρυπανιού

4α. Πρέπει να το χρησιμοποιείτε σύμφωνα με τις οδηγίες του κατασκευαστή του.

Αν δεν υπάρχει εξοπλισμός σωληνωτού τρυπανιού

4β. Ανοίξτε μια κεντρική τρύπα καθ' όλο το πάχος του τοίχου.

5. Κόψτε την τρύπα. Μην την κόψετε καθ' όλο το πάχος του τοίχου. (Η συνιστώμενη μέθοδος είναι να ανοίξετε μια σειρά από τρύπες, τη μια κοντά στην άλλη, γύρω από την άκρη της γραμμής κοπής, και ν' αφαιρέσετε το τούβλο μεταξύ των οπών με μια σμίλη).

6. Πηγαίνετε έξω και κόψτε μια τρύπα στον εξωτερικό τοίχο, επαναλαμβάνοντας τη διαδικασία που περιγράφεται πιο πάνω.

7. Κόψτε τον αγωγό στο σωστό μήκος, αν χρειαστεί. Ο σωλήνας τοίχου που παρέχεται είναι τηλεσκοπικός και μπορεί να επεκταθεί σε μέγιστο μήκος 300 χλστ.

8. Τοποθετήστε τον αγωγό, φροντίζοντας να απομακρύνεται από τον εξεριστήρα με κλίση προς τα κάτω για να εξασφαλίζεται η αποστράγγιση τυχόν εισερχομένου νερού βροχής προς το εξωτερικό.

9. Στερεώστε την τρύπα. Αφήστε το κονίαμα να σφίξει πριν συνεχίσετε την εγκατάσταση.

Αν η εγκατάσταση γίνεται σε παράθυρο ή πάνελ

1. Κόψτε μια τρύπα διαμέτρου 125 χλστ. ή, αν η εγκατάσταση γίνεται σε παράθυρο, πάρτε ένα ετοιμοκομμένο τζάμι.

2. Το κέντρο της τρύπας πρέπει να απέχει τουλάχιστον 110 χλστ. από την άκρη του πάνελ ή του τζαμιού.

Αν η εγκατάσταση γίνεται σε αγωγό εξερισμού

1. Βεβαιωθείτε ότι δεν υπάρχουν θαμμένοι σωλήνες ή καλώδια στον αγωγό εξερισμού. **Αν αμφιβάλλετε, ζητήστε συμβουλή από ειδικό.**

2. Κόψτε μια τρύπα διαμέτρου 110 χλστ. στην πλευρά του αγωγού.

3. Αν ο αγωγός έχει κοίλο τοίχο, χρησιμοποιήστε τον σωλήνα τοίχου για να γεφυρώσετε την κοιλότητα.

4. Τοποθετήστε αγωγό και παγίδα υγραποίησης, αν χρειάζεται, βάζοντας την παγίδα υγραποίησης όσο το δυνατό πιο κοντά στον εξεριστήρα.

Αν η εγκατάσταση γίνεται σε ταβάνι

1. Βεβαιωθείτε ότι δεν υπάρχουν θαμμένοι σωλήνες ή καλώδια στο ταβάνι/στα δοκάρια κλπ. **Αν αμφιβάλλετε, ζητήστε συμβουλή από ειδικό.**

2. Κόψτε μια τρύπα διαμέτρου 115 χλστ.

Προετοιμασία του εξεριστήρα για εγκατάσταση

Αφαιρέστε το μπροστινό κάλυμμα, πιέζοντας τα πιασίματα απελευθέρωσης που βρίσκονται στις πλευρές της συσκευής, με ένα κατασβίδι 3 χλστ., τραβώντας ταυτόχρονα το μπροστινό κάλυμμα προς τα εμπρός **L**

Εγκατάσταση του εξεριστήρα στην τρύπα

Αν θα δουλέψετε πάνω από το επίπεδο του ισογείου, πρέπει να ληφθούν κατάλληλα προστατευτικά μέτρα.

Αν η εγκατάσταση γίνεται σε τοίχο, ταβάνι ή αεραγωγό

Σημειώστε τη θέση της πσινής πλάκας **B**

1. Κρατήστε την πσινή πλάκα έτσι που το τερματικό μπλοκ να βλέπει προς την κατεύθυνση σας στην πάνω αριστερή γωνία και το χείλος να δείχνει προς την τρύπα.

2. Εισάγετε προσεκτικά το χείλος μέσα στον αγωγό τοίχου/το ταβάνι ή τον αγωγό εξερισμού.

3. Ρυθμίστε τη θέση της πσινής πλάκας μέχρι να γίνει επίπεδη.

4. Σημειώστε στον τοίχο/το ταβάνι ή τον αγωγό εξερισμού τις θέσεις των τριών οπών στερέωσης στην πσινή πλάκα.

5. Αφαιρέστε την πσινή πλάκα από τον αγωγό.

6. Ανοίξτε τρύπες βιδώματος στις θέσεις αυτές, αν χρειάζεται, και τοποθετήστε τακάκια τοίχου, αν χρειάζεται.

Τοποθετήστε την πσινή πλάκα **C**

1. Σπρώξτε τη ραβδωτή φλάντζα (RG100) επάνω στο χείλος της πσινής πλάκας **1**

2. **Αν η εγκατάσταση γίνεται σε ταβάνι ή αεραγωγό**, σπρώξτε το μεγαλύτερης διαμέτρου τεμάχιο του τηλεσκοπικού σωλήνα τοίχου επάνω στη ραβδωτή φλάντζα. Κόψτε πρώτα τον σωλήνα στο

απαιτούμενο μήκος, αν χρειαστεί.

3. Αν καλωδιώνετε τον εξεριστήρα από την πίσω πλευρά, αφαιρέστε το τεμάχιο της κομμένης τρύπας. Περάστε το καλώδιο της ηλεκτρικής παροχής μέσα από την τρύπα εισαγωγής του καλωδίου, στην πισινή πλάκα, προς τα τερματικά **D**.
4. Αν η καλωδίωση γίνεται από την πάνω πλευρά, αφήστε το καλώδιο ελεύθερο για τοποθέτηση μέσα στον λαβύρινθο.
5. Εισάγετε το χείλος της πισινής πλάκας στον αγωγό του τοίχου/το ταβάνι ή τον αγωγό εξερισμού, όπως και προηγουμένως.
6. Στερεώστε την πισινή πλάκα στον τοίχο/στο ταβάνι ή στον αγωγό εξερισμού χρησιμοποιώντας κατάλληλους συνδετήρες. Αν χρησιμοποιείτε βίδες, **μην παρασφίγγετε τις βίδες.**

Τοποθέτηση του φράκτη οπισθίου ρεύματος

1. Αφαιρέστε την επένδυση από την αφρώδη ταινία που παρέχεται και τοποθετήστε την γύρω στο εξωτερικό του χείλους του φράκτη οπισθίου ρεύματος.
2. Πηγαίνετε έξω. Κρατώντας ανοικτό το πάνω και το κάτω πτερύγιο, εισάγετε το χείλος μέσα στον αγωγό του τοίχου.
3. Αφού βεβαιωθείτε ότι ο φράκτης οπισθίου ρεύματος είναι επίπεδος, σημειώστε τις θέσεις των δυο οπών στερέωσης στην πάνω δεξιά και κάτω αριστερή γωνία.
4. Αφαιρέστε το οπίσθιο ρεύμα από τον αγωγό τοίχου.
5. Ανοίξτε τρύπες βίδων στις θέσεις αυτές, και τοποθετήστε τα εναπομείνοντα τακάκια τοίχου.
6. Κρατώντας ανοικτό το πάνω και το κάτω πτερύγιο, επανατοποθετήστε τον φράκτη οπισθίου ρεύματος και στερεώστε τον στον τοίχο χρησιμοποιώντας τις αιχμηρές αυτοπροωθούμενες βίδες. **Μην παρασφίγγετε τις βίδες.**
7. Βεβαιωθείτε ότι τα πτερύγια ανοίγουν και κλείνουν ελεύθερα.

Αν η εγκατάσταση γίνεται σε παράθυρο ή πάνελ

Σφράγισμα της τρύπας **E**

1. Αν η εγκατάσταση γίνεται σε παράθυρο ή πάνελ του οποίου το πάχος δεν υπερβαίνει τα 9 χλστ., τοποθετήστε την άσπρη λαστιχένια φλάντζα γύρω από την άκρη της τρύπας. Αν η εγκατάσταση γίνεται σε πάνελ ή σε παράθυρο με σφραγισμένο διπλό τζάμι του οποίου το πάχος υπερβαίνει τα 9 χλστ., τότε χρειάζεται το εξάρτημα DXDG για διπλό τζάμι. Ακολουθήστε τις οδηγίες που συνοδεύουν το ειδικό εξάρτημα.

Προσαρτήστε τον φράκτη οπισθίου ρεύματος στο διαχωριστή **F**

1. Κρατώντας το πάνω και το κάτω πτερύγιο, εισάγετε τον φράκτη οπισθίου ρεύματος **2** μέσα στον διαχωριστή **3** έτσι που οι τρύπες στερέωσης στην πάνω δεξιά και κάτω

αριστερή γωνία να ταιριάζουν με αυτές του διαχωριστή.

2. Εισάγετε δυο από τις παρεχόμενες επιπεδοκέφαλες αυτοπροωθούμενες βίδες και στερεώστε τον φράκτη οπισθίου ρεύματος στο διαχωριστή.

Τοποθέτηση του εξεριστήρα στο παράθυρο **G**

1. Κάποιοι άλλοι ρυθμιστές κρατάει τον φράκτη οπισθίου ρεύματος και τον διαχωριστή στη θέση τους από την εξωτερική μεριά, με τον διαχωριστή επάνω στο γυαλί.
2. Βεβαιωθείτε ότι οι δυο υπερυψωμένες τρύπες στερέωσης στον διαχωριστή είναι οριζόντιες και είναι τοποθετημένες μέσα στην τρύπα.
3. Από την εσωτερική μεριά, κρατάτε την πισινή πλάκα έτσι που το τερματικό μπλοκ να βλέπει προς την κατεύθυνση σας στην πάνω αριστερή γωνία και το χείλος έχει κατεύθυνση προς την ίδια τρύπα.
4. Ευθυγραμμίστε τις τρύπες της πισινής πλάκας με αυτές του διαχωριστή.
5. Εισάγετε δυο από τις παρεχόμενες επιπεδοκέφαλες αυτοπροωθούμενες βίδες στις τρύπες στερέωσης και σφίξτε την πισινή πλάκα στον διαχωριστή. **Μην παρασφίγγετε τις βίδες.**

Καλωδιώστε την ηλεκτρική σύνδεση

- **Βεβαιωθείτε ότι η ηλεκτρική παροχή είναι απομονωμένη.**

1. Ελέγξτε το μαντέλο του εξεριστήρα στο διάγραμμα **H** και καλωδιώστε τον εξεριστήρα όπως φαίνεται στο διάγραμμα, τροφοδοτώντας το καλώδιο μεταξύ των δυο υπερυψωμένων περονών, αν η καλωδίωση γίνεται από την πάνω μεριά, και μέσα από τον λαβύρινθο στο τερματικό μπλοκ.
2. **Κλείστε το διακόπτη της κεντρικής ηλεκτρικής παροχής και αφαιρέστε τις ασφάλειες.**
3. Συνδέστε το καλώδιο από τον απομονωτικό διακόπτη στην καλωδίωση της ηλεκτρικής παροχής.
- **Για σταθερά καλωδιακά κυκλώματα, η προστατευτική ασφάλεια της συσκευής δεν πρέπει να υπερβαίνει τα 5A.**

Μόνο για το DX100T **L**

- Για να ρυθμίσετε την περίοδο υπέρβασης γυρίζετε το χειριστήριο (T) σύμφωνα με τη φορά του ρολογιού για να την αυξήσετε και αντίθετα προς τη φορά του ρολογιού για να τη μειώσετε.

Μόνο για τα DX100H και DX100HP **V**

- Η λειτουργία της υγρασίας είναι ρυθμισμένη από το εργοστάσιο σε σχετική υγρασία περίπου 70%, αλλά είναι δεκτική ρύθμισης σε σχετική υγρασία μεταξύ περίπου 50% και 90% με χειριστήριο (H).
- Ο χρόνος υπέρβασης είναι ρυθμισμένος από το εργοστάσιο σε περίπου 20 δευτερόλεπτα αλλά μπορεί να ρυθμιστεί με χειριστήριο (T).

Chrelair Ανεμιστήρες τουαλέτας- μπάνιου DX100, DX100PC, DX100T, DX100H, DX100HP, DX100PIR & DX100VTD

Οδηγίες εγκατάστασης και λειτουργίας
Παρακαλείσθε ν' αφήσετε το φυλλάδιο αυτό με τον εξεριστήρα, για να το συμβουλευέται ο χρήστης

- Και τα δυο χειριστήρια είναι δεκτικά ρύθμισης. Γυρίζετε τα χειριστήρια σύμφωνα με τη φορά του ρολογιού για αύξηση του χρόνου ή της σχετικής υγρασίας και αντίθετα προς τη φορά του ρολογιού για μείωση.

Μόνο για το DX100PIR **K**

- Ρυθμίζετε την περίοδο υπέρβασης με το χειριστήριο (T). Γυρίζετε το καταβίδι σύμφωνα με τη φορά του ρολογιού για να την αυξήσετε και αντίθετα προς την φορά του ρολογιού για να τη μειώσετε.

Όλοι οι εξεριστήρες

- Αν η καλωδίωση γίνεται από τα πάνω, αποκόψτε την εγκοπή εισόδου καλωδίου που είναι σηματοδοτημένη στο πάνω μέρος του μπροστινού καλύμματος.
- Τοποθετήστε το μπροστινό κάλυμμα ευθυγραμμίζοντας το τετραγωνικά με τον αγωγό και σπρώχνοντας το επάνω στον αγωγό μέχρι να αρπάξουν τα πιασίματα απελευθέρωσης μέσα στις εγκοπές του μπροστινού καλύμματος.

Η χρήση του εξεριστήρα

Μόνο για τα DX100 και DX100VTD

- Ο εξεριστήρας λειτουργεί με τη χρήση του διακόπτη on/off. Επαναλαμβάνετε την ίδια διαδικασία για να τον σταματήσετε.

Μόνο για το DX100PC

- Ο εξεριστήρας λειτουργεί τραβώντας και απελευθερώνοντας το κορδόνι. Επαναλαμβάνετε την ίδια διαδικασία για να τον σταματήσετε.

Μόνο για το DX100T

- Ο εξεριστήρας λειτουργεί με τη χρήση του διακόπτη on/off. Όταν κλείνετε τον διακόπτη, ο εξεριστήρας συνεχίζει να λειτουργεί για μια ρυθμιζόμενη χρονική υπέρβαση.

Μόνο για το DX100H

- **Μη αυτόματη λειτουργία:** Χρησιμοποιείτε τον διακόπτη on/off. Όταν κλείνετε τον διακόπτη, ο εξεριστήρας περιέρχεται στην αυτόματη λειτουργία μετά τη χρονική υπέρβαση (το φως δείχνει τότε ο εξεριστήρας βρίσκεται στη μη αυτόματη λειτουργία).
- **Αυτόματη λειτουργία:** Ο εξεριστήρας λειτουργεί όταν ανέρχεται η σχετική υγρασία και σταματά όταν κατέρχεται η υγρασία.

Μόνο για το DX100PIR

- Ο αισθητήρας ανιχνεύει κίνηση μέσα στο δωμάτιο και ενεργοποιεί τον εξεριστήρα. Όταν επισημανθεί κίνηση, ο εξεριστήρας θα λειτουργήσει για μια προρυθμισμένη περίοδο υπέρβασης και σε κάθε άλλη περίπτωση που θα επισημαίνεται κίνηση η

διαδικασία αυτή θα επαναλαμβάνεται. Αυτό διασφαλίζει ότι το δωμάτιο εξαερίζεται μόνο κατά τη διάρκεια της χρήσης και μετά από αυτή. **Μετά την αρχική εγκατάσταση του εξεριστήρα θα υπάρξει μια σταθεροποιητική περίοδος περίπου πέντε λεπτών. Κατά τη διάρκεια της περιόδου αυτής, ο εξεριστήρας θα λειτουργήσει για μέχρι και δυο λεπτά.**

Καθάρισμα (συστάται μια φορά τον μήνα)

ΤΟ ΚΑΘΑΡΙΣΜΑ ΠΡΕΠΕΙ ΝΑ ΓΙΝΕΤΑΙ ΠΑΝΤΑ ΑΠΟ ΕΙΔΙΚΕΥΜΕΝΟ ΗΛΕΚΤΡΟΛΟΓΟ

1. Πριν το καθάρισμα, απομονώστε τελείως τον εξεριστήρα από την ηλεκτρική παροχή.
2. Αφαιρέστε το μπροστινό κάλυμμα πιέζοντας τα πιασίματα απελευθέρωσης που βρίσκονται στις πλευρές της μονάδας με ένα καταβίδι των 3 χλστ και τραβώντας ταυτόχρονα το μπροστινό κάλυμμα προς τα εμπρός **L**.
3. Για να καθαρίσετε το μπροστινό κάλυμμα, το σφουγγίζετε με ένα υγρό, απαλλαγμένο από νήματα πανί, ή το πλένετε σε ζεστό σαπουνόνερο. Στεγνώνετε σχολαστικά το μπροστινό κάλυμμα και το επανατοποθετείτε.
4. Μη βυθίζετε τον εξεριστήρα σε νερό ή άλλα υγρά για να καθαρίσετε οποιαδήποτε άλλα μέρη του.
5. Μη χρησιμοποιείτε δυνατά διαλυτικά για να καθαρίσετε τον εξεριστήρα.
6. Εκτός από το καθάρισμα, καμιά άλλη συντήρηση δεν απαιτείται.



Xpelair Toalett/Baderom svifter DX100, DX100PC, DX100T, DX100H, DX100HP DX100PIR & DX100VTD Installasjons- og bruksanvisning

Vennligst oppbevar denne håndboken sammen med viften, til nytte for brukeren.

Installasjon av viften

Disse apparatene er beregnet på tilkobling til fast ledningsnett.

Kontroller at den elektriske merkeplaten på hver vifte passer til hovednettforsyningen.

DISSE APPARATENE ER DOBBELTISOLERTE, OG DET ER UNYDVENDIG MED JORDING.

Alle installasjoner må kontrolleres av en kvalifisert elektriker.

Installasjoner og ledninger må være i samsvar med gjeldende IEE Regulations (i Storbritannia), og med lokale eller gjeldende regelverk (i andre land).

Hvis du har noen spørsmål før installasjonen av disse produktene eller etter at de er installert, kan du ringe Xpelair på direkte linje til teknisk avdeling: + 44 (0) 8709 000430. Våre ingeniører står til tjeneste i vanlig kontortid (gjelder kun Storbritannia), eller du kan sende dem en fax utenom kontortiden: + 44 (0) 8709 000530.

Vi ber om at kunder utenfor Storbritannia vennligst tar kontakt med sin Xpelair distributør.

Beskrivelse

Xpelair viftene har følgende egenskaper:

- Universalmonteringsutstyr gir deg valget mellom vindus-/ veggpanel/ ventilasjonssjakt/takmontering.
- Uttrekk med én hastighet

DX100

- Sett i gang viften med en på/av bryter (følger ikke med).

DX100PC

- Sett i gang viften med en integrert trekksnor.

DX100T

- Innebygd ur driver viften automatisk i et forhåndsinnstilt tidsrom på inntil 30 minutter.

DX100H

- Virker enten når den automatisk settes i gang av fuktighetssensoren eller når den slås på med på/av bryteren (lampen viser når viften drives i manuell modus).

DX100HP

- Virker enten når den automatisk settes i gang av fuktighetssensoren eller når den slås på med den integrerte trekksnorbryteren (lampen viser når viften drives i manuell modus). Innebygd ur driver viften automatisk i et forhåndsinnstilt tidsrom på inntil 20 minutter.

DX100PIR

- En integrert bevegelsessensor driver viften så lenge den detekterer bevegelse. Innebygd ur driver viften automatisk i et forhåndsinnstilt tidsrom på inntil 20 minutter.

DX100VID

- Sett i gang viften med på/av bryteren (følger

ikke med). Viften vil ikke starte på ca. 2Ω minutt (+/- 27%). Deretter vil viften virke. Når viften er slått av, vil den fortsatt virke i ca. 7Ω minutt (+/- 27%).

Hva installatøren vil trenge

- En topolet skillebryter med minimum kontaktavstand på 3mm (vegg- eller takmontert).
- Hvis det brukes bryterbokser av metall, må reglene for jording følges.
- Egnert klassifisert tolederkabel. (DX100, DX100PC, DX100HP og DX100PIR).
- Egnert klassifisert trelederkabel. (DX100T, DX100H og DX100VTD).
- Elektroskrutrekker med 3mm blad og nr. 1 eller 2 Pozidrive skruttrekkere (skruttrekkere med krysshode).
- En på/av bryter til vegg eller tak med innebygd indikatorlampe (DX100, DX100T og DX100VTD).
- For å forhindre en potensielt farlig situasjon på grunn av inntrengning av vann må en kondensasjonspotte (Xpelair nr. XCT100) monteres så nær viften som mulig, på alle steder hvor noen del av kanalen befinner seg høyere enn selve viften.

Hvis viften veggmonteres, vil du også trenge

- Murbor, hammer & meisel (eller kjerneborutstyr om tilgjengelig).
- Mørtel for å utbedre hullet om nødvendig.

Hvis viften installeres i et vindu

- Du vil trenge en vindusrute som er mellom 3mm og 6mm tykk (helst 4mm).
- Viften må ikke installeres i glass som er 3mm tykt hvis vindusruten er mer enn 0,2m \leq
- Hvis du installerer i isolerruter (dobbelvinduer), anbefaler vi at du anskaffer deg en spesiallaget enhet fra vindusprodusenten. Du kommer også til å trenge spesialutstyr fra oss, Xpelair referansenr. DXDG.
- Hvis du installerer i heisevinduer, anbefaler vi at du monterer viften i det øvre vinduet. Fest den øvre vindusrammen i lukket stilling og monter stoppere like under der hvor viften er montert for å unngå at den blir skadd når vinduet heves.
- Hvis du installerer i et panel som er mellom 9mm og 46mm tykt, vil du trenge spesialutstyr fra oss, Xpelair referansenr. DXDG. Viftene må ikke installeres i et panel som er mer enn 46mm tykt.

Hvis viften takmonteres

Du vil trenge egnert utgangsutstyr. Disse artiklene er å få hos Xpelair.

1. WT10 ñ Utstyr til utgangskanal.
2. CFWG 100 ñ Utgangsgrill til soffittlist (hvit eller brun).
3. FD100 / 3 og FD100 / 6 ñ Fleksibelt kanalsystem.

Hvor viften skal plasseres

- Plasser den så høyt som mulig.
- Minst 110mm fra monteringsflatens kant til midten av hullet.
- Så langt bort som mulig fra og på motsatt side av den viktigste lufttilførselskilden som erstatter luften som trekkes ut, for å sikre luftstrøm gjennom rommet (f.eks. på motsatt side av den innvendige døråpningen).
- Nær kilden til damp eller luft.
- **Ikke hvor det er sannsynlig at omgivelsenes temperatur vil overskride 50°C.**
- Hvis viften skal installeres på et kjøkken, må den ikke monteres like over kokeplater eller en grill i ansiktshøyde.
- Hvis viften installeres i et rom med en fyringsanordning for brensel, uten balansert røkkanal, er installatøren ansvarlig for å påse at det finnes tilstrekkelig tilførsel av frisk luft til å forhindre at røk trekkes ned røkkanalet når viften går med maksimalt uttrekk. Vi viser til regelverk for bygg med særskilte krav.
- Avtrekksluft må ikke slippes ut i en røkkanal som brukes til avtrekk av røk fra apparater med annen enn elektrisk energikilde. Krav fra samtlige myndigheter må etterkommes med hensyn til utslipp av avtrekksluft og inntakets strømningshastigheter.
- Når beregnet på bruk i en atmosfære med mulighet for kjemisk korrosjon, må du rådføre deg med Teknisk Serviceavdeling. For oversjøiske markeder ta kontakt med din Xpelair distributør.
- Gjelder kun for DX100PIR \hat{n} Plasseringen må være slik at det kan skje uhindret deteksjon av bevegelse. Vær påpasselig med å unngå hindringer som kan påvirke deteksjonsstrålene **A**.

Installasjon av skillebryter og kabler

1. Kontroller at den elektriske merkeplaten på innsiden av den bakre platen passer til hovednettforsyningen.
2. Kontroller at det ikke finnes skjulte rør eller kabler, f.eks. elektrisitet, gass, vann, bakenfor bryterens plassering (i veggen eller i taket).
Hvis du er i tvil, rådfør deg med ekspert.
3. Isoler hovednettforsyningen.
4. Legg kabela fra skillebryteren til stedet hvor viften skal plasseres via på/av bryteren (om nødvendig).
5. Legg kabela fra skillebryteren til tilkoblingsstedet til hovednettforsyningen.
6. Installer skillebryteren og på/av bryteren (om nødvendig).
7. Foret alle koblinger til skillebryteren og på/av bryteren (om nødvendig).

Merk: På/av bryteren må være plassert slik at den ikke kan berøres av personer som bader

eller dusjer.

ADVARSEL: DET MÅ IKKE KOBLES TIL STRYMFORSYNINGEN PÅ DETTE STADIET.

Gjelder kun for Australia (DX100, DX100PC, DX100HP & DX100PIR)

Tilkobling til hovednettforsyningen kan foretas med en fleksibel tolederkabel med trepolet støpsel som settes inn i en godkjent 10A GPO eller det kan kobles direkte gjennom en godkjent 10A veggmontert overflatebryter med minst 3mm klaring mellom kontaktene.

Gjelder kun for Australia (DX100T, DX100H, & DX100VTD)

Disse modellene er permanent koblet til hovednettforsyningen, og driften kontrolleres av en fjernbryter. De skal kobles direkte til hovednettforsyningen gjennom en godkjent 10A veggmontert overflatebryter med minst 3mm klaring mellom kontaktene.

ADVARSEL: BARN MÅ IKKE LEKE MED APPARATET, OG DU MÅ SØRGE FOR AT SMÅ BARN OG ELDRE OG SVAKELIGE PERSONER ER UNDER TILSYN

Forberedelse av hullet

Hvis du arbeider over bakkenivå, må egnede forholdsregler med hensyn til sikkerhet overholdes.

ADVARSEL: ØYENBESKYTTELSE MÅ ALLTID BRUKES NÅR DET BORES ELLER MEISLES.

Hvis viften skal installeres på en vegg

1. Kontroller at det ikke finnes skjulte rør eller kabler inni veggen eller hindringer på utsiden, f.eks. elektrisitet, gass, vann.
Hvis du er i tvil, rådfør deg med ekspert.
2. Merk av på veggen midten på kanalens hull.
3. Bruk dette merket til tegning av en sirkel som passer til veggkanalen (115mm diameter).

Hvis kjerneborutstyr er tilgjengelig:

4a Bruk som anvist av kjerneborfabrikanten.

Hvis kjerneborutstyr ikke er tilgjengelig:

- 4b Bor et hull midt i merket helt gjennom veggen.
5. Skjær ut hullet. Ikke skjær helt gjennom veggen.

(Det anbefales at du borer ut en rekke hull, tett sammen, rundt kanten av skjærelinjen og fjerner muren mellom hullene med en meisel.)

6. Gå ut og skjær et hull på ytterveggen, gjenta prosedyren som er beskrevet ovenfor.
7. Skjær kanalen til riktig lengde om nødvendig. Veggslangen som følger med er teleskopisk og kan forlenges til maksimalt 300mm.
8. Monter kanalen. Påse at kanalen vender ned og bort fra viften slik at eventuelt innkommende regnvann kan renne ut.
9. Utbedre hullet. La mørtelen stivne før du fortsetter med installasjonen av viften.

Hvis viften installeres i et vindu eller panel

1. Skjær et hull med diameter på 125mm eller hvis viften installeres i et vindu, skaff deg en ferdigskåret rute.

*Xpelair
Toalett/Baderom
svifter
DX100,
DX100PC,
DX100T,
DX100H,
DX100HP
DX100PIR &
DX100VTD
Installasjons- og
bruksanvisning*

Vennligst oppbevar denne håndboken sammen med viften, til nytte for brukeren.

2. Midten på hullet skal være minst 110mm unna panelets eller vindusrutens kant.

Hvis viften skal installeres i en ventilasjonssjakt

1. **Kontroller at det ikke finnes skjulte rør eller kabler i ventilasjonssjakten.**
Hvis du er i tvil, rådfør deg med ekspert.
2. Skjær et hull med diameter på 110mm i siden på sjakten.
3. Hvis sjakten har hulmur, bruk veggslangen gjennom hulrommet.
4. Monter kanalen og kondensasjonsputten om nødvendig, og plasser kondensasjonsputten så nær viften som mulig.

Hvis viften skal installeres i et tak

1. **Kontroller at det ikke finnes skjulte rør eller kabler i taket / bjelkene osv.**
Hvis du er i tvil, rådfør deg med ekspert.
2. Skjær et hull med diameter på 115mm.

Forberedelse av viften til installasjon

Fjern frontdekslet ved å trykke inn låsehakene på sidene av enheten med en 3mm skrute trekker mens du trekker frontdekslet fremover **L**.

Monter viften i hullet

Hvis du arbeider over bakkenivå, må egnede forholdsregler med hensyn til sikkerhet overholdes.

Hvis du installerer i en vegg, tak eller luftekanal

Merk av bakplattens stilling **B**

1. Hold bakplaten slik at kabelhodet (rekkeklemmen) vender mot deg i øverste venstre hjørne og leppen peker mot hullet.
2. Sett leppen forsiktig inn i veggkanalen/taket eller luftekanalssjakten.
3. Juster bakplattens stilling inntil den er vannrett.
4. Merk av på veggen/taket eller luftkanalsjakten plasseringen av de tre festehullene i bakplaten
5. Fjern bakplaten fra kanalen.
6. Bor skruerhull på disse stedene om nødvendig og monter veggpluggen om nødvendig.

Monter bakplaten **C**

1. Skyv den riflete tetningsringen (RG100) inn på bakplattens leppe **1**.
2. **Hvis du installerer i et tak eller luftekanal,** skyv det stykket med teleskopisk veggslange med størst diameter inn på den riflete tetningsringen. Skjær slangen til passende lengde først om nødvendig.
3. *Hvis du kobler til viften bakfra, fjern utstøteren. Mat nettkabelen gjennom kabelinnføringshullet i bakplaten til koblingspunktene **D**.*
4. *Hvis du kobler til ovenfra, la kabelen være fri slik at den kan passes inn i labyrinten.*
5. Sett bakplattens leppe inn i veggkanalen/taket eller luftkanalsjakten som før.
6. Fest bakplaten til veggen/taket eller luftkanalsjakten og bruk egnede festeordninger. Hvis du bruker skruer, **må du ikke trekke til skruene for mye.**

Monter baktrekkestengslet

1. Trekk beskyttelsesfilmen av

skumgummiremsen som følger med og fest den rundt utsiden av leppen på baktrekkestengslet.

2. Gå ut. Mens du holder øvre og nedre stengselsvinge åpne, sett leppen inn i veggkanalen.
3. Vær sikker på at baktrekkestengslet er vannrett og merk av plasseringen til de to festehullene øverst i høyre hjørne og nederst i venstre hjørne.
4. Fjern baktrekkestengslet fra veggkanalen.
5. Bor skruerhullene i disse stillingene og monter de gjenværende veggpluggene.
6. Mens du holder øvre og nedre stengselsvinger åpne, monterer du baktrekkestengslet igjen og fester det til veggen ved bruk av de selvskrueende spisskrueene. **Ikke trekk til skruene for mye.**
7. Påse at stengselsvingene åpner og lukker seg fritt.

Hvis du installerer i en vegg eller panel

Tetting av hullet **E**

1. Hvis du installerer i et vindu eller panel som ikke er mer enn 9mm tykke, fest den hvite gummitetningsringen rundt kanten av hullet. Hvis du installerer i et panel eller en isolerrute som er mer enn 9mm tykke, er det nødvendig med DXDG dobbelt vindusutstyr. Følg anvisningene som følger med spesialutstyret.

Fest baktrekkestengslet til mellomstykket **F**

1. Hold øvre og nedre stengselsvinger og sett inn baktrekkestengslet **2** i mellomstykket **3**, slik at festehullene i øverste høyre og nederste venstre hjørne er rettet inn etter de på mellomstykket.
2. Sett inn to av de butte selvskrueende skruene som følger med og fest baktrekkestengslet til mellomstykket.

Monter viften i vinduet **G**

1. Du må få en annen person til å holde baktrekkestengslet og mellomstykket på plass på utsiden, med mellomstykket mot glasset.
2. Vær sikker på at de to forhøyede festehullene i mellomstykket er horisontale og befinner seg innenfor hullet.
3. Fra innsiden må du holde bakplaten slik at klemmeblokken (rekkeklemmen) vender mot deg i øverste venstre hjørne og leppen peker mot det hullet.
4. Rett inn hullene i bakplaten etter de i mellomstykket.
5. Sett to av de butte selvskrueende skruene som følger med inn i festehullene og fest bakplaten til mellomstykket **for mye.**

Foreta de elektriske koblingene

• **Påse at hovednettforingen er isolert.**

1. Koble til viften som vist i **H**, kontroller at viftemodellen stemmer med diagrammet og mat kabelen inn mellom de to opphøyde klypene hvis du kobler til ovenfra og gjennom labyrinten til kabelhodet (rekkeklemmen).

2. Slå av hovednettforsyningen og ta ut sikringene.

3. Koble kabelen fra skillebryteren til strømforsyningsledningene.

- For faste ledningsnettretser må apparatets vernesikring ikke overskride 5A.

Gjelder kun for DX100T

- For å justere overløpsperioden kan du dreie betjeningsknappen (T) med klokken for å forlenge perioden og mot klokken for å forkorte perioden.

Gjelder kun for DX100H & DX100HP

- Driften i forhold til fuktighet er innstilt fra fabrikk på ca. 70% Relative Humidity (RH) (Relativ fuktighet), men kan justeres mellom 50% og 90% RH ved hjelp av betjeningsknapp (H).
- Tidsbryterfunksjonen er innstilt fra fabrikk på ca. 20 minutter, men kan justeres med betjeningsknapp (T).
- Begge betjeningsfunksjonene er justerbare. Drei betjeningsknappene med klokken for å forlenge tiden eller øke RH, og mot klokken for å redusere tiden.

Gjelder kun for DX100PIR

- Juster overløpsperioden med betjeningsknapp (T). Drei skrutrekkeren med klokken for å forlenge perioden og mot klokken for å redusere perioden.

Samtlige vifter

- Hvis du kobler til ovenfra, skjær ut kabelinnføringsåpningen som er merket av øverst på frontdekslet.
- Monter frontdekslet ved å rette det inn i rett vinkel etter kanalen og skyve det inn på kanalen inntil låsehakene smekker på plass i åpningene på frontdekslet.

Bruk av viften

Gjelder kun for DX100 & DX100VTD

- Sett viften i gang ved å bruke på/av bryteren. Gjenta for å slå av.

Gjelder kun for DX100PC

- Sett viften i gang ved å trekke i og slippe trekksnoren. Gjenta for å slå av.

Gjelder kun for DX100T

- Sett viften i gang ved å bruke på/av bryteren. Når bryteren er slått av, fortsetter viften å gå i den justerbare forsinkelsesperioden.

Gjelder kun for DX100H

- **Manuell modus:** bruk på/av bryteren. Når du slår av, går viften over til automatisk modus etter den innstilte forsinkelsen (lampen indikerer når viften går i manuell modus).
- **Automatisk modus:** viften slås på når relativ fuktighet stiger og slås av igjen når fuktigheten synker.


Gjelder kun for DX100PIR

- Sensoren detekterer bevegelse i rommet og

aktiverer viften. Når den "merker" bevegelse, vil viften gå i en forhåndsinnstilt overløpsperiode, og eventuell ytterligere bevegelse vil få viften til å starte på nytt. På denne måten sørges det for at rommet kun er ventilert under og like etter bruk. **Når viften er nyinstallert, vil det være en stabiliseringsperiode på ca. fem minutter. I løpet av denne tiden vil viften gå i inntil to minutter.**

Renhold (anbefales én gang i måneden)

EN KVALIFISERT ELEKTRIKER MÅ UTFØRE ALT RENHOLD.

1. Før det utføres renhold, må viften isoleres helt fra hovednettforsyningen.
2. Fjern frontdekslet ved å trykke inn låsehakene som er plassert på sidene av enheten med en 3mm skrutrekker, mens du trekker frontdekslet fremover .
3. For å rengjøre frontdekslet kan du enten tørke av det med en fuktig, lofri klut eller vaske det i varmt såpevann. Tørk frontdekslet grundig og sett det på plass igjen.
4. Viften må ikke nedsenkes i vann eller andre væsker for å rengjøre andre deler av viften.
5. Du må aldri bruke sterke løsemidler til rengjøring av viften.
6. Bortsett fra rengjøring er det ikke nødvendig med annet vedlikehold.

Anvisningar om installation och underhåll av toalett/badrumsflykt DX100, DX100PC, DX100T, DX100H, DX100HP, DX100PIR & DX100VTD från Xpelair

Förvara denna bruksanvisning tillsammans med fläkten för användarens bekvämlighet

Installera fläkten

Dessa elektriska apparater är avsedda att anslutas till fast ledningsdragnig. Kontrollera att den elektriska märkdaten på varje fläkt överensstämmer med matningen från nätet.

DESSA ELEKTRISKA APPARATER ÄR DUBBELT ISOLERADE OCH BEHÖVER INTE JORDAS.

All installation måste överses av en kvalificerad elektriker. Installation och ledningsdragnig måste överensstämma med aktuella IEE-bestämmelser (Storbritannien) eller relevanta lokala bestämmelser (övriga länder).

Om du vill ställa några frågor innan du installerar dessa produkter eller efter du har installerat dem, är du välkommen att kontakta Xpelairs tekniska hjälpline på +44 (0) 8799 000430. Våra tekniker finns till hands enbart på kontorstid (enbart Storbritannien), men du kan faxa dina frågor till hjälplinjen när som helst på numret +44 (0) 8799 000530.

Kunder utanför Storbritannien bör kontakta närmaste Xpelair-distributör.

Beskrivning

Fläktarna från Xpelair har följande funktioner:

- En monteringsatts som passar både fönster, väggpanel, ventilationstrumma och tak.
- En hastighet

DX100

- Fläkten kontrolleras med en på/av-knapp (medföljer ej).

DX100PC

- Fläkten kontrolleras med ett dragsnöre.

DX100T

- En inbyggd timer startar fläkten automatiskt efter högst 30 minuter.

DX100H

- Fläkten startar automatiskt av fuktsensorn eller manuellt via på/av-knappen (lampan anger om fläkten befinner sig i manuellt läge).

DX100HP

- Fläkten startar automatiskt av fuktsensorn eller manuellt via dragsnöret (lampan anger om fläkten befinner sig i manuellt läge). Den inbyggda timern startar fläkten automatiskt efter högst 20 minuter.

DX100PIR

- En kroppssensor håller igång fläkten så länge rörelser registreras. Den inbyggda timern startar fläkten automatiskt efter högst 20 minuter.

DX100VTD

- Fläkten kontrolleras med en på/av-knapp

(medföljer ej). Fläkten startar inte förrän efter cirka 2,5 minuter (+/- 27%). Fläkten fortsätter att arbeta i cirka 7,5 minuter (+/- 27%) efter att den har stängts av.

Detta behövs vid installation

- En tvåpolig strömbrytare med ett kontaktavstånd som inte överstiger 3 mm (vägg- eller takmontering).
- Jordningsbestämmelser måste följas om kopplingsdosor av metall används.
- Lämplig tvåådrig kabel (DX100, DX100PC, DX100HP och DX100PIR).
- Lämplig treådrig kabel (DX100T, DX100H och DX100VTD).
- 3mm-skruvmejsel och Pozdriv-skruvmejslar nr. 1 och 2.
- En på/av-knapp (vägg eller tak) med inbyggd indikatorlampa (DX100, DX100T och DX100VTD).
- **Undvik fara genom vattenbildning genom att montera fast en kondensvattenavledare (Xpelair nr. XCT100) så nära fläkten som möjligt om någon del av trumman befinner sig högre än fläkten.**

För väggmontering behöver du även

- Slagborr, hammare och mejsel (eller kärnborrtrusring).
- Murbruk för eventuell tätning av hål.

Fönstermontering

- Använd fönsterglas som är mellan 3 och 6 mm tjockt (helst 4 mm).
- Installera inte glas som är 3 mm tjockt om fönsterglaset överstiger 0,2 m².
- *Om installationen sker på dubbelglasat fönster bör du använda en specialtillverkad enhet som glastillverkaren tillhandahåller. Du behöver även Xpelairs specialsats DXDG.*
- *Om installationen sker på skjutfönster bör du montera fläkten på det övre fönstret. Se till att det övre fönstret är låst och montera fast stoppar strax under fläktens position för att undvika skada när fönstret skjuts uppåt.*
- Om installation sker på en panel som är mellan 9 och 46 mm tjock måste du använda Xpelairs specialsats DXDG. Installera inte dessa fläktar på en panel som är tjockare än 46 mm.

Takmontering

Du måste använda lämplig utrustning för ledningsdragnig. Följande utrustning finns tillgänglig från Xpelair.

1. WT 10 - Tunnelsats.
2. CFWG100 - Soffitgrill (vit eller brun).
3. FD100 / 3 och FD100 / 6 - Flexibel monteringsatts.

Utplacering av fläkt

- Placera så högt upp som möjligt.
- Minst 110 mm från monteringsytans kanter till hålets centrum.
- Så långt från den huvudsakliga luftbyteskällan som möjligt så att luftströmningen i rummet maximeras (till exempel mitt emot dörröppningen)
- Nära det område som behöver renas.
- **Inte på platser där omgivningstemperaturen i regel överstiger 50 °C.**
- **Installera inte strax ovanför en spishäll eller grill (i huvudhöjd) om installation sker i kök.**
- **Om du installerar fläkten i ett rum som innehåller en förbränningsenhet med en obalanserad röckanal måste du se till att det finns tillräckligt med ersättningsluft som förhindrar att ångor dras in i rökgången när fläkten suger ut maximalt. Se byggregler för specifika krav.**
- **Frånluft kan inte förpassas till en rökgång som är avsedd för ångor från apparater med annan energikälla än elektricitet. Regler utfärdade av tillämpliga myndigheter rörande utsläpp av frånluft och insugning måste följas.**
- **Rådgör med vår tekniska hjälppersonal om du avser att använda fläkten i kemiskt frätande miljö (kontakta närmaste Xpelair-distributör om du inte bor i Storbritannien).**
- **Enbart DX100PIR: Utplaceringen måste vara sådan att rörelser kan registreras. Undvik hinder som negativt kan påverka detekteringsstråle **A**.**

Installera strömbrytare och kablar

1. Kontrollera att den elektriska märkdaten på den bakre plattan överensstämmer med matningen från nätet.
2. Kontrollera att det inte finns några dolda rör eller kablar, till exempel el/gas/vatten, bakom strömbrytaren (i väggen eller ovanför taket). Sök professionell hjälp om du är osäker.
3. Isolera matningen från nätet.
4. Dra kabeln från strömbrytaren till fläktens position via på/av-knappen (om tillämpligt).
5. Dra kabeln från strömbrytaren till nätanslutningspunkten.
6. Installera strömbrytaren och på/av-knappen (om tillämpligt).
7. Genomför samtliga anslutningar till strömbrytaren och på/av-knappen (om tillämpligt).

Obs: Du måste placera på/av-knappen så att den inte kan nås av den person som använder duschen eller badkaret.

VARNING: ANSLUT INTE TILL ELNÄTET I DETTA SKEDE.

Gäller enbart Australien (DX100, DX100PC, DX100HP och DX100PIR)

Anslut till nätet med hjälp av en flexibel tvåådrig kabel med en trestiftskontakt som sticks in i en godkänd 10 amp-GPO eller dras direkt via en godkänd, väggmonterad 10 amp-brytare (minst 3 mm avstånd mellan kontaktarna).

Gäller enbart Australien (DX100T, DX100H och DX100VTD)

Dessa modeller är permanent anslutna till nätet och kontrolleras med en fjärrbrytare. De bör dras direkt till nätet via en godkänd, väggmonterad 10 amp-brytare (minst 3 mm avstånd mellan kontaktarna).

VARNING: BARN BÖR INTE LEKA MED DESSA APPARATER. HÅLL SMÅBARN UNDER UPSIKT.

Förbereda hål

Följ tillämpliga säkerhetsföreskrifter om arbetet sker ovanför marknivå.
VARNING: BÅR SKYDDSGLASÖGON VID BORRNING OCH MEJSLING.

Väggmontering

1. Kontrollera att det inte finns några dolda rör eller kablar i väggen eller hinder på utsidan, till exempel el/gas/vatten. Sök professionell hjälp om du är osäker.
2. Markera trummans mittpunkt på väggen.
3. Använd denna mittpunkt för att rita en cirkel som motsvarar väggtrumman (115 mm diameter).

Om du använder kärnborr:

4a. Följ anvisningarna från borttillverkaren.

Om du inte använder kärnborr:

- 4b. Borra ett centrumhål i väggen.
5. Skär till hålet (inte igenom hela väggen). Vi rekommenderar att du borrar ett antal näraliggande hål runt skärlinjen och avlägsnar murbruket mellan hålen med hjälp av en mejsel.
6. Gör ett hål i väggen från utsidan (upprepa proceduren angiven ovan).
7. Korta av trumman genom att skära den om detta blir nödvändigt.
8. Montera fast trumman. Se till att den löper nedåt och bortåt från fläkten så att eventuellt regnvatten dräneras ut.
9. Laga hålet. Låt murbruket stelna innan du fortsätter med installationen av fläkten.

Fönster- eller panelmontering

1. Gör ett hål (125 mm i diameter), eller skaffa en lämpligt skuren fönsterruta om du fönstermonterar.
2. Hålets centrum måste befinna sig minst 110 mm från panelens kant eller fönsterruta.

Montering i ventilationstrumma

1. Kontrollera att det inte finns några dolda rör eller kablar i ventilationstrumman. Sök professionell hjälp om du är osäker.

Anvisningar om installation och underhåll av toalett/badrumsfäst DX100, DX100PC, DX100T, DX100H, DX100HP, DX100PIR & DX100VTD från Xpelair

Förvara denna bruksanvisning tillsammans med fläkten för användarens bekvämlighet

2. Gör ett hål (110 mm i diameter) i trummans sida.
3. Om trumman har en hålmur överbryggar du hålet med röret.
4. Montera fast trumma och kondensvattenavledare (om nödvändigt). Placera den senare så nära fläkten som möjligt.

Takmontering

1. Kontrollera att det inte finns några dolda rör eller kablar i taket/balkar, etc. Sök professionell hjälp om du är osäker.
2. Gör ett hål (115 mm i diameter).

Förberedelser av fläkt inför installation

Avlägsna det främre skyddet genom att trycka på spännhakarna på enhetens sidor med en 3 mm-skruvmejsel samtidigt som du drar det främre skyddet framåt **L**.

Montera fläkten i hålet

Följ tillämpliga säkerhetsföreskrifter om arbetet sker ovanför marknivå.

Montering i vägg, tak eller ventil

Markera den bakre plattans läge **B**.

1. Håll den bakre plattan så att kopplingsplinten är vänd mot dig i det övre vänstra hörnet och läppen pekar mot hålet.
2. Infoga läppen försiktigt i väggtrumman, taket eller ventilationstrumman.
3. Justera den bakre plattans läge tills den är vågrät.
4. Markera de tre fastsättningspunkterna för den bakre plattan på väggen, taket eller ventilationstrumman.
5. Avlägsna den bakre plattan från trumman.
6. Borra skruvhål i dessa punkter om nödvändigt och används väggpluggar vid behov.

Montera fast den bakre plattan **C**

1. Placera packningen (RG100) på den bakre plattans läpp **1**.
2. Om du installerar i tak eller ventil ska du skjuta den del av teleskopröret som har den största diametern över packningen. Skär till röret innan du gör detta om detta visar sig nödvändigt.
3. Avlägsna uppslagning om du ledningsdrar bakom fläkten. Dra nätkabeln genom kabelns ingångshål i den bakre plåten till plintarna **D**.
4. Om du ledningsdrar ovanifrån lämnar du kabeln fri så att den kan läggas i labyrinten.
5. För in den bakre plattans läpp i väggen, taket eller ventilationstrumman på samma sätt som beskrivits tidigare.
6. Sätt fast den bakre plattan i väggen, taket eller ventilationstrumman med hjälp av lämplig utrustning. Skruva inte fast för hårt om du använder skruvar.

Montera fast baksläppning

1. Avlägsna bakfyllningen från bifogad skumremsa och sätt fast runt läppens utsida

på baksläppningen.

2. Gå ut. Håll den övre och undre vingen och för in läppen i väggtrumman.
3. Se till att baksläppningen är vågrät och markera lägens för de två fastsättningshålen i det övre högra hörnet och det undre vänstra hörnet.
4. Avlägsna baksläppningen från väggtrumman.
5. Borra skruvhål i fastsättningshålen och skruva fast kvarvarande väggpluggar.
6. Håll den övre och undre vingen och montera fast baksläppningen i väggen med hjälp av de spetsiga och självgångande skruvarna. Skruva inte fast för hårt.
7. Se till att vingarna öppnas och stängs utan problem.

Fönster- eller panelinstallation

Täta hålet **E**

1. Placera den vita gummipackningen runt hålets kant om du installerar i ett fönster eller en panel som inte är tjockare än 9 mm. Du behöver en DXDG-sats för dubbelglasat fönster om du installerar i en panel eller dubbelglasat fönster som är tjockare än 9 mm. Följ de instruktioner som bifogas specialsatsen.

Fäst baksläppningen på brickan **F**

1. Håll den övre och undre vingen och infoga baksläppningen **2** i brickan **3** så att fastsättningspunkterna i det övre högra hörnet och det undre vänstra hörnet överensstämmer med hålen i brickan.
2. Stoppa in två av de platta, självgångande skruvarna och fäst baksläppningen mot brickan.

Montera fläkten i fönstret **G**

1. Någon annan måste hålla baksläppningen och brickan i läge på utsidan (brickan hålls mot gaset).
2. Se till att de två upphöjda fastsättningspunkterna i brickan ligger horisontellt samt inom hålets diameter.
3. Håll den bakre plattan från insidan så att kopplingsplinten är vänd mot dig i det övre vänstra hörnet och läppen pekar mot hålet.
4. Se till att hålen i den bakre plattan överensstämmer med hålen i brickan.
5. Stoppa in två av de bifogade platta, självgångande skruvarna i fastsättningspunkterna och fäst den bakre plattan mot brickan. Skruva inte fast för hårt.

Kabeldragning

• Kontrollera att strömmen är bortkopplad

1. Dra fläkts kablar enligt **H**. Kontrollera att fläkten överensstämmer med diagrammet och dra kabeln mellan de två upphöjda stiften (om du drar ovanifrån) och genom labyrinten till kopplingsplinten.

2. Bryt strömmen och ta bort säkringarna.

3. Anslut kabeln från strömbrytaren till den elektriska ledningsdragningen.

- Den skyddande säkringen för apparaten får inte överstiga 5 amp.

Enbart DX100T **L**

- Justera körperioden genom att vrida kontrollen (T) medsols för höjning och motsols för sänkning.

Enbart DX100H & DX100HP **J**

- Fuktighetsgraden är förhandsinställd på cirka 70% RH (relativ fuktighet), men kan ställas in på mellan 50% och 95% RH med kontrollen (H).
- Tidsfördröjningen är förhandsinställd på cirka 20 minuter, men kan ställas in med kontrollen (T).
- Båda kontrollerna är inställbara. Vrid dem medsols för att öka tid eller RH och motsols för att minska.

Enbart DX100PIR **K**

- Justera körperioden med kontrollen (T). Vrid skruvmejseln medsols för höjning och motsols för sänkning.

Samtliga fläktar

- Om du drar ledningar ovanifrån skär du till öppningshålet som finns markerad på det främre skyddets översida.
- Placera det övre skyddet så att det överensstämmer med trumman. Skjut skyddet mot trumman tills klämmorna låser fast skyddet.

Använda fläkten

Enbart DX100 & DX100VTD

- Starta och stanna fläkten med på/av-knappen.

Enbart DX100PC

- Starta och stanna fläkten genom att dra i snöret.

Enbart DX100T

- Starta och stanna fläkten med på/av-knappen. När du stänger av fläkten fortsätter den att arbeta under inställd tidsfördröjning.

Enbart DX100H

- **Manuellt läge:** Använd på/av-knappen. När du stänger av fläkten intar den automatiskt läge efter inställd tidsfördröjning (lampan indikerar när fläkten befinner sig i manuellt läge).
- **Automatiskt läge:** Fläkten startar när relativ fuktighet stiger och stannar när fuktigheten sjunker.

Enbart DX100PIR

- Sensorn startar fläkten när den detekterar rörelser i rummet och fortsätter att arbeta under förhandsinställd körperiod. Den startar på nytt om den känner av nya rörelser, vilket innebär att rummet enbart ventileras när det används och omedelbart efteråt. **När fläkten installeras för första gången iscensätts en stabiliseringsperiod på cirka 5 minuter, under**

vilken fläkten arbetar i cirka 2 minuter.

Rengöring (rekommenderar en gång i månaden)

EN KVALIFICERAD ELEKTRIKER MÅSTE UTFÖRA ALLT RENGÖRINGSARBETE.

1. Se till att strömmen är bruten till fläkten innan något rengöringsarbete påbörjas
2. Avlägsna det främre skyddet genom att trycka på spännhakarna på enhetens sidor med en 3 mm-skruvmejsel samtidigt som du drar det främre skyddet framåt **L**.
3. Rengör det främre skyddet med en fuktad, luddfri trasa eller en varm tvällösning. Torka det främre skyddet noga innan du monterar fast det igen
4. Sänk inte ned fläkten i vatten eller någon annan vätska i syfte att rengöra några svåråtkomliga delar.
5. Rengör inte fläkten med starkt lösningsmedel.
6. Ingen annan typ av underhåll än rengöring behövs.

التنظيف (مرة كل شهر)

يجب أن يتم التنظيف من قبل كهربائي مؤهل.

١ قبل إجراء التنظيف يجب عزل المروحة بالكامل عن مصدر الطاقة.

٢ انزع الغطاء الأمامي بالضغط على سقاطات التحرير الموجودة على جانبي المروحة باستخدام مفك ٣ مم مع سحب الغطاء الأمامي للأمام. **L**

٣ لتنظيف الغطاء الأمامي يمكنك إما أن تمسحه بقطعة قماش مبللة خالية من الألياف، أو غسله في ماء دافئ به صابون. يجب تنظيف الغطاء الأمامي جيداً وإعادة تركيبه.

٤ لا تغمر المروحة في الماء أو السوائل الأخرى لتنظيف أية أجزاء أخرى من أجزاء المروحة.

٥ لا تستخدم المذيبات القوية لتنظيف المروحة.

٦ براعى عدم إجراء أي صيانة للمروحة باستثناء التنظيف.

• لضبط مدة انتهاء الوقت المحدد لف المفتاح (T) في اتجاه عقارب الساعة لزيادة المدة وعكس اتجاه عقارب الساعة لتقليلها.

دي إكس ١٠٠ إنش ، دي إكس ١٠٠ إنش بي فقط **J**

• تشغيل الرطوبة مضبوط في المصنع على ٧٠٪ رطوبة نسبية تقريباً ولكن يمكن ضبطه بين ٥٠٪ و ٩٠٪ بمفتاح (H).

• تأخير الوقت مضبوط في المصنع على ٢٠ دقيقة تقريباً ولكن يمكن ضبطه بالمفتاح (T).

• كلا المفاتيح يمكن ضبطهما. لف المفاتيح في اتجاه عقارب الساعة لزيادة الوقت أو الرطوبة النسبية فؤ وعكس اتجاه عقارب الساعة لتقليله.

دي إكس ١٠٠ بي أي آر فقط **K**

• اضبط مدة انتهاء الوقت بالمفتاح (T). لف المفك في اتجاه عقارب الساعة لزيادة المدة ولفه عكس عقارب الساعة لتقليل المدة.

جميع المراوح

• إذا كنت تقوم بتوصيل الأسلاك من أعلى اقطع فتحة دخول الكبل المحددة أعلى الغطاء الأمامي.

• ركب الغطاء الأمامي يجعله في زاوية قائمة مع الأنبوب ودفعه على الأنبوب حتى تدخل سقاطات التحرير في الفتحات الموجودة على الغطاء الأمامي.

استخدام المروحة

دي إكس ١٠٠، دي إكس ١٠٠ تي دي فقط

• شغل المروحة باستخدام مفتاح التشغيل/ الإطفاء. كرر ذلك لإطفائها.

دي إكس ١٠٠ بي سي فقط

• شغل المروحة بسحب السلك وتركه. كرر ذلك لإطفائها.

دي إكس ١٠٠ تي فقط

• شغل المروحة باستخدام مفتاح التشغيل/ الإطفاء. عند إطفاء المفتاح تستمر المروحة تعمل حتى وقت التأخير المحدد.

دي إكس ١٠٠ إنش فقط

• الوضع اليدوي: استخدم مفتاح التشغيل/ الإطفاء. عند وضع المفتاح في وضع الإطفاء تعمل المروحة في الوضع الآلي بعد انتهاء وقت التأخير (يشير الضوء عندما تكون المروحة تعمل في الوضع اليدوي).

• الوضع الآلي: تعمل المروحة حينما يرتفع معدل الرطوبة وتنطفئ عندما ينخفض معدل الرطوبة.

دي إكس ١٠٠ بي أي آر فقط

• عندما يكتشف جهاز الإحساس وجود حركة في الغرفة يقوم بتشغيل المروحة. عند اكتشاف حركة تعمل المروحة لمدة التشغيل المحددة مسبقاً، وتؤدي أي حركة أخرى يتم الإحساس بها إلى إعادة التشغيل مرة أخرى. يضمن ذلك أن يتم فقط تهوية الغرفة أثناء استخدامها وبعد استخدامها مباشرة. عند تركيب المروحة للمرة الأولى تكون هناك فترة ثبات لخمس دقائق تقريباً. خلال هذه المدة تعمل المروحة حتى دقيقتين.

أكسجیلر

مراوح للمراحيض
والحمامات دي إكس

١٠٠، دي إكس ١٠٠ بي

سي، دي إكس ١٠٠

تي، دي إكس ١٠٠

إتش، دي إكس ١٠٠

إتش بي، دي إكس

١٠٠ بي أي آر، دي

إكس ١٠٠ في تي دي

تعليمات التركيب

والتشغيل

مراعاة لمصلحة المستخدم

يرجى ترك هذه التعليمات مع

المروحة

لتركيبها على السقف

١ تأكد من عدم وجود أنابيب أو كبلات مدفونة في
السقف/ ألواح الخشب... الخ

إذا كان لديك شك في ذلك استشر شخصاً متخصصاً.

٢ اقطع حفرة قطرها ١١٥ مم.

تجهيز المروحة للتركيب

انزع الغطاء الخارجي بالضغط على سقاطات التحرير الموجودة
على جانبي الوحدة باستخدام مفك ٢ مم مع شد الغطاء الأمامي
للأمام **L**

ركب المروحة في الفتحة

إذا كنت تعمل في طابق أعلى من الطابق الأرضي يجب
مراعاة احتياطات السلامة المناسبة.

لتركيبها على حائط أو سقف أو فتحة تهوية

حدد مكان اللوحة الخلفية **B**١ امسك اللوحة الخلفية بحيث يكون المكعب النهائي مواجهاً لك
في الزاوية اليسرى من أعلى وتكون الشفة متجهة نحو الفتحة.
٢ ضع الشفة بعناية في الأنبوب الموجود في الحائط/ السقف أو
فتحة التهوية.

٣ اضبط مكان اللوحة الخلفية حتى يصبح مستوياً.

٤ حدد مكان فتحات التثبيت الثلاث للوحة الخلفية على الحائط/
السقف أو فتحة التهوية.

٥ اخلع اللوحة الخلفية من الأنبوب.

٦ احفر فتحات لمسامير لولبية في هذه المواضع إذا لزم الأمر.

ركب اللوحة الخلفية **C**١ انزع سداة إحكام القفل المضلعة (أرجي ١٠٠) على شفة
اللوحة الخلفية **●**٢ لتركيبها على سقف أو فتحة تهوية ادفع الجزء الذي
يحتوي على القطر الأكبر من أنبوب الحائط التلسكوبي على
سداة إحكام القفل المضلعة. اقطع الأنبوب حسب الطول
المطلوب أولاً إذا لزم الأمر.٣ إذا كنت تقوم بتوصيل أسلاك المروحة من الخلف اخلع غطاء
الفتحة. أدخل كبل الطاقة من فتحة دخول الكبل في اللوحة
الخلفية للأطراف **D**٤ إذا كنت تقوم بتوصيل أسلاك المروحة من أعلى اترك الكبل
حراً لتركيبه في المتاهة.٥ ضع شفة اللوحة الخلفية في أنبوب الحائط/ السقف أو فتحة
التهوية كما سبق.٦ ثبت اللوحة الخلفية على الحائط/ السقف أو فتحة التهوية
باستخدام الأربطة المناسبة. إذا كنت تستخدم المسامير
اللولبية لا تغالي في ربط المسامير.

ركب الغطاء المتحرك الخلفي

١ أزل الجزء الخلفي من الشريط الرغوي الموجود مع المروحة
وثبته حول الشفة من الخارج على الغطاء المتحرك الخلفي.٢ انهب للخارج. افتح الريش العلوية والسفلية وضع الشفة في
أنبوب الحائط.٣ تأكد من أن الغطاء الخلفي المتحرك في وضع مستوٍ ثم حدد
مكان فتحتي التثبيت في الزاوية العلوية على اليمين والسفلية
على اليسار.

٤ انزع الغطاء الخلفي من أنبوب الحائط.

٥ احفر فتحتين بالمثقاب في هذين الموضعين وثبت سدادات
الحائط المتبقية.٦ افتح الريش العلوية والسفلية وأعد تركيب الغطاء الخلفي
المتحرك وثبته على الحائط باستخدام مسامير لولبية مسننة
حادة. لا تغالي في ربط المسامير اللولبية.

٧ تأكد من أن الريش تفتح وتغلق بحرية.

لتركيبها على نافذة أو لوح

إغلاق الفتحة **E**١ عند تركيبها على نافذة أو لوح لا يزيد سمكه على ٩ مم ركب
طوق إحكام القفل المطاطي الأبيض حول حافة الفتحة. عند
تركيبها على لوح أو زجاج مزدوج مطلق لا يزيد سمكه على ٩
مم يجب استخدام طقم زجاج مزدوج دي إكس دي جي. اتبع
التعليمات الواردة مع الطقم الخاص.ثبت الغطاء الخلفي المتحرك على المبادع **F**١ افتح الريش العلوية والسفلية ثم أعد وضع الغطاء الخلفي
المتحرك 2 في المبادع بحيث تكون فتحات التثبيت الموجودة
في الزوايا العلوية من اليمين والسفلية من اليسار متوافقة مع
فتحات المبادع.٢ ضع مسامير من المسامير اللولبية الذاتية التركيب ذات
الطرف المستوي الموجودة مع المروحة وثبت الغطاء الخلفي
المتحرك على المبادع.ركب المروحة على النافذة **G**١ يجب أن يقوم شخص آخر بالإسك بالغطاء الخلفي المتحرك
والمبادع في موضعهما من الخلف بحيث يكون المبادع على
الزجاج.٢ تأكد من أن فتحتي التثبيت البارزتين الموجودتين في المبادع
في وضع أفقي ومثبتتين في الفتحة.٣ امسك اللوح الخلفي من الداخل بحيث يكون المكعب النهائي
مواجهاً لك في الزاوية العلوية اليسرى وتكون الشفة في اتجاه
الفتحة.٤ اجعل الفتحات الموجودة في اللوح الخلفي بمحاذاة الفتحات
الموجودة في المبادع.٥ ضع المسامير اللولبية المستويين عند نهايتهما
والموجودين مع المروحة وثبت اللوح الخلفي بالمبادع. لا
تغالي في ربط المسامير اللولبية.

وصل أسلاك التوصيلات الكهربائية

• تأكد من أن مصدر التيار الكهربائي معزول.

١ وصل أسلاك المروحة كما هو مبين في **I** يجب مطابقة
موديل المروحة مع الشكل التوضيحي، ووضع الكبل بين
المشبكين البارزين في حالة توصيل السلك من أعلى ومن
خلال المتاهة إلى المكعب النهائي.

٢ أظف مصدر التيار الكهربائي وانزع الفيوزات.

٣ وصل الكبل من مفتاح العزل إلى سلك مصدر الإمداد بالتيار
الكهربائي.• بالنسبة لدوائر التوصيلات النابذة يراعى أن لا يزيد
الفيوز الواقي على ٥ أمبير.دي إكس ١٠٠ تي فقط **I**

• بعيداً عن الأماكن التي من المحتمل أن تزيد فيها درجة الحرارة على ٥٠ درجة مئوية.

• في حالة تركيبها في المطبخ يراعى عدم تركيبها فوق سطح الموقد مباشرة أو في مستوى النظر للشوابة.

• في حالة تركيبها في غرفة بها جهاز يعمل باحتراق الوقود به مدخنة غير متوازنة يعد الشخص الذي يقوم بالتركيب مسئولاً عن التأكد من وجود هواء متجدد كافه لمنع سحب الأبخرة من المدخنة في حالة تشغيل المروحة على أعلى سرعة شفط. يجب الرجوع إلى لوائح البناء لمعرفة الاشتراطات المحددة.

• يراعى عدم تصريف هواء العادم في مدخنة يتم استخدامها للتخلص من دخان الأجهزة التي تعمل بأي طاقة سوى الطاقة الكهربائية. يجب مراعاة اشتراطات جميع الجهات المعنية بشأن معدلات تصريف هواء العوادم وتدفق الهواء الداخل.

• إذا كنت تنوى استخدام المروحة في جو به مواد كيميائية آكلة يجب استشارة إدارة الخدمات الفنية. (بالنسبة للأسواق الخارجية يجب استشارة موزع "إكسبيلير" المحلي).

• مراوح دي إكس ١٠٠ بي أي أر فقط- يجب تركيبها في مكان يسهل فيه كشف الحركة. يراعى تجنب العوائق التي قد تؤثر على أشعة الكشف [A].

كيفية فتح العزل والكيبلات

١ تأكد من أن القدرة الكهربائية المبنية على اللوحة الخلفية من الداخل متوافقة مع مصدر الطاقة.

٢ تأكد من عدم وجود أنابيب أو كبلات مدفونة (مثل أنابيب الكهرواء والغاز الماء) خلف مكان المفتاح (في الحائط أو فوق السقف).

إذا كان لديك شك في ذلك استشر أحد المتخصصين.

٣ اعزل مصدر الطاقة.

٤ وصل الكبل الممتد من مفتاح العزل إلى مكان المروحة عن طريق مفتاح التشغيل/ الإيقاف (إذا كان مطلوباً).

٥ وصل الكبل الممتد من مفتاح العزل إلى مفتاح التوصيل بمصدر الطاقة الرئيسي.

٦ ركب مفتاح العزل ومفتاح التشغيل/ الإيقاف (إذا كان مطلوباً).

٧ اعمل جميع التوصيلات الموجودة داخل مفتاح العزل ومفتاح التشغيل/ الإيقاف (إذا كانت مطلوبة).

ملاحظة: يجب وضع مفتاح التشغيل/ الإيقاف في مكان مناسب بحيث لا يلتمسه الأشخاص الذين يستخدمون الحمام أو الدوش.

تحذير: يحظر عمل أي توصيلات بمصدر الطاقة في هذه المرحلة.

بالنسبة لاستراليا فقط (دي إكس ١٠٠، دي إكس ١٠٠ بي سي، دي إكس ١٠٠ إنش بي، دي إكس ١٠٠ بي أي آر)

يمكن عمل الوصلة الممتدة إلى مصدر الطاقة باستخدام كبل من من قطبين مع قابس من ٣ أطراف لوضعه في مقبس معتمد ١٠ أمبير أو توصيله مباشرة عن طريق مفتاح سطحي مثبت على الحائط بحيث يكون هناك فراغ بين نقاط الاتصال قدره ٣ مم على الأقل.

بالنسبة لاستراليا فقط (دي إكس ١٠٠، دي إكس ١٠٠ إنش، دي إكس ١٠٠ في تي دي)

هذه الموديلات يتم دائماً توصيلها بمصدر الطاقة ويتم التحكم في تشغيلها بواسطة مفتاح للتحكم عن بعد. ويجب توصيل هذه الموديلات بمصدر الطاقة مباشرة عن طريق مفتاح سطحي معتمد بقدرة ١٠ أمبير مثبت على الحائط ويجب أن يكون هناك فراغ لا يقل عن ٣ مم بين نقاط الاتصال.

تحذير: يجب على الأطفال أن لا يلعبوا بالجهاز، كما يجب التأكد من ضرورة مراقبة الأطفال الصغار.

تجهيز الفتحة

إذا كنت تعمل في طابق أعلى من الطابق الأرضي يجب مراعاة إجراءات السلامة المناسبة.

تحذير: يجب ارتداء واقي العينين أثناء القيام بجميع أعمال الحفر والتجهيز.

لتركيبها على الحائط

١ تأكد من عدم وجود أنابيب أو كبلات مدفونة في الحائط أو عوائق من الخارج مثل الكهرواء والغاز والماء.

إذا كان لديك أي شك يجب استشارة شخص متخصص.

٢ ضع علامة تحدد مركز فتحة الأنبوب على الحائط.

٣ استخدم هذا المركز لتحديد دائرة تناسب الفتحة التي سيتم عملها في الحائط (قطرها ١١٥ مم).

إذا كان لديك مققاب لاستخراج العينات:

٤أ استخدمه وفقاً لتعليمات جهة صنع المققاب.

إذا لم يكن لديك مققاب لاستخراج العينات:

٤ب احفر فتحة في الوسط في الحائط.

٥ اقطع الفتحة. لا تقطع الفتحة حتى نهاية الحائط.

(الطريقة التي ننصح بها هي أن يتم حفر مجموعة من الحفر قريبة من بعضها حول حافة خط القطع وإزالة القرميد الموجود بين الفتحات باستخدام إزميل).

٦ اذهب من الخارج واقطع فتحة في الحائط من الخارج وكرر الخطوات السابقة.

٧ اقطع أنبوباً بالطول المناسب إذا لزم الأمر. الأنبوب الموجود مع المروحة من النوع التلسكوبي ومن الممكن تمدده حتى ٣٠٠ مم.

٨ ركب الأنبوب. تأكد من أن الأنبوب مائل لأسفل من جهة المروحة حتى يسمح بتصريف ماء المطر للخارج.

٩ قم بتسوية الفتحة. انتظر حتى يصبح الملائط صلباً قبل مواصلة تركيب المروحة.

لتركيبها على نافذة أو لوح

١ اقطع فتحة قطرها ١٢٥ مم أو احصل على لوح مقطوع وجاهز في حالة تركيبها على النافذة.

٢ يجب أن يبعد مركز الفتحة عن حافة اللوح أو لوح الزجاج بـ ١١٠ مم على الأقل.

لتركيبها في فتحة تهوية

١ تأكد من عدم وجود أنابيب أو كبلات مدفونة في فتحة التهوية.

إذا كان لديك أي شك استشر شخصاً متخصصاً.

٢ اقطع فتحة قطرها ١١٠ مم في جانب فتحة التهوية.

٣ إذا كان بفتحة التهوية حائط مزدوج به تجويف داخلي استخدم أنبوب الحائط لعمل جسر على التجويف.

٤ ركب الأنبوب ومصيدة التكثيف إذا لزم الأمر، وضع مصيدة التكثيف قريبة من المروحة بقدر الإمكان.

تركيب المروحة

صممت هذه الأجهزة للتوصيل بوسيلة كهربائية ثابتة. تأكد من أن القدرة الكهربائية الميينة على كل مروحة متوافقة مع مصدر التيار الكهربائي.

هذه الأجهزة معزولة عزلاً مزدوجاً ولا تحتاج إلى وصلة أرضية.

يجب الإشراف على جميع التركيبات من قبل كهربائي مؤهل. يجب أن تكون التركيبات والوصلات متوافقة مع لائحة مؤسسة المهندسين الكهربائيين (المملكة المتحدة)، أو اللوائح المحلية المناسبة (البلدان الأخرى).

إذا كانت لديك أي استفسارات قبل تركيب هذه الأجهزة أو بعد تركيبها يرجى الاتصال بالخط الفني الساخن لـ "إكسبيلير" على هاتف رقم: ٤٣٠ ٠٠٠ ٨٧٠٩٠٠ (+٤٤)

يجب على العملاء في خارج المملكة المتحدة الاتصال بموزع "إكسبيلير" المحلي.

الوصف

تتميز مرواح "إكسبيلير" بالخصائص التالية:

- طقم التثبيت العالمي يسمح بخيارات التثبيت على النافذة/ لوح بالحائط/ فتحة تهوية/ السقف
- شفط بسرعة واحدة

دي إكس ١٠٠

- شغل المروحة باستخدام مفتاح تشغيل/ إطفاء (لا يقدم مع المروحة)

دي إكس ١٠٠ بي سي

- شغل المروحة باستخدام سلك متكامل يتم سحبه

دي إكس ١٠٠ تي

- موقت داخلي يشغل المروحة ألياً لمدة محددة مسبقاً لا تزيد على ٣٠ دقيقة.

دي إكس ١٠٠ إتش بي

- تعمل بطريقتين: ألياً بواسطة جهاز الإحساس بالرطوبة، أو عن طريق مفتاح التشغيل/ الإطفاء، (يكون الضوء مضاءً عندما تعمل المروحة في الوضع اليدوي).

دي إكس ١٠٠ بي

- تعمل بطريقتين: إما ألياً بواسطة جهاز الإحساس بالرطوبة، أو عند تشغيلها باستخدام مفتاح سلك متكامل يتم سحبه (يكون الضوء مضاءً عندما تعمل المروحة في الوضع اليدوي).
- الموقت الداخلي يشغل المروحة ألياً لمدة محددة مسبقاً لا تزيد على ٢٠ دقيقة.

دي إكس ١٠٠ بي أي آر

- الجهاز المتكامل للإحساس بحركة الجسم يشغل المروحة عندما يكتشف حركة. الموقت الداخلي يشغل المروحة ألياً لمدة محددة لا تزيد على ٢٠ دقيقة.

دي إكس ١٠٠ في تي دي

- شغل المروحة باستخدام مفتاح التشغيل/ الإطفاء (لا يقدم مع المروحة). المروحة لا تبدأ إلا بعد دقيقتين ونصف تقريباً (+/-٢٧). بعد هذه المدة تعمل المروحة عند إطفاء المروحة تظل المروحة تعمل لمدة سبع دقائق ونصف (+/-٢٧).

ما يحتاجه من يقوم بتركيب المروحة

- مفتاح عازل بقطبين لا تقل فتحة نقطة الاتصال به عن ٣ مم (التثبيت على الحائط أو السقف).
- في حالة استخدام صناديق المفاتيح المعدنية يجب اتباع تعليمات القطب الأرضي.
- كيل بقطبين بجهد (دي إكس ١٠٠، دي إكس ١٠٠ بي سي، دي إكس ١٠٠ إتش بي، دي إكس ١٠٠ بي أي آر).
- كيل بـ ٣ أقطاب بجهد مناسب (دي إكس ١٠٠ تي، دي إكس ١٠٠ إتش، دي إكس ١٠٠ في تي دي).
- مفك كهربائي ٣ مم مفك "بوزدريف" رقم ١ أو ٢.
- مفتاح تشغيل/ إطفاء للحائط أو السقف مع ضوء داخلي للمؤشر (دي إكس ١٠٠، دي إكس ١٠٠ تي، دي إكس ١٠٠ في تي دي).
- لتجنب الأخطار التي قد تنتج عن احتمال دخول الماء يجب تركيب مصيدة تنكثف (إكسبيلير رقم إكس سي تي ١٠٠) في أقرب مكان ممكن من المروحة في جميع الحالات التي يكون فيها أي جزء من أعمال الأنابيب موجوداً في مكان أعلى من المروحة نفسها.

لتركيب المروحة على الحائط تحتاج أيضاً إلى

- مققاب للحفر في البواء ومطرقة وإزميل (أو مققاب لاستخراج العينات إن وجد)
- ملاط لإصلاح الفتحة إذا لزم الأمر

لتركيب المروحة على النافذة

- سوف تحتاج إلى لوحة النافذة بسلك ٣ مم إلى ٦ مم (يفضل ٤ مم).
- يراعى عدم تركيبها في زجاج بسلك ٣ مم إذا كانت منطقة لوحة النافذة تزيد على ٢٠ متر مربع.
- عند تركيبها في زجاج مزدوج مقفل يجب الحصول على وحدة مصنعة خصيصاً لذلك من جهة تصنيع الزجاج. سوف تحتاج أيضاً إلى طقم خاص اسمه "إكسبيلير كات" ورقمه هو "دي إكس دي جي".
- في حالة تركيبها في النوافذ ذات الإطارات يجب تركيب المروحة في النافذة العلوية. ثبت الإطار العلوي في الوضع المغلق وثبت حواجز أسفل مستوى المروحة مباشرة لمنع حدوث أضرار عند رفع الإطار.
- عند تثبيتها في لوحة يتراوح سمكها بين ٩ مم و ٤٦ مم تحتاج إلى طقم "إكسبيلير كات" ورقمه "دي إكس دي جي". لا تتركب هذه المراوح في لوحة يزيد سمكها على ٤٦ مم.

لتركيب المروحة على السقف

- سوف تحتاج إلى استخدام الملحقات المناسبة اللازمة للتركيب. هذه الملحقات يتم الحصول عليها من "إكسبيلير".
- ١ دبلوي تي ١٠ - طقم تركيب أنابيب
- ٢ سي إف دبلوي جي ١٠٠ - شبكة تركيب لوحة سفلية (بيضاء أو بنية اللون).
- ٣ إف دي ١٠٠ / ٣، إف دي ١٠٠ / ٦ - أنابيب مرنة

أين تضع المروحة

- يجب أن توضع المروحة في أعلى مكان ممكن.
- على بعد ١١٠ مم على الأقل من حافات أسطح التركيب إلى وسط الفتحة.
- في أبعد مكان ممكن وفي الجهة المقابلة من مصدر تجديد الهواء لضمان تدفق الهواء في الحجرة (في الجهة المقابلة للممر الداخلي مثلاً).
- بالقرب من مصدر الأبخرة أو الروائح.

Notes

*DX100,
DX100PC,
DX100T, DX100H,
DX100HP,
DX100PIR &
DX100VTD*



Do's and don'ts

- Do read all the instruction leaflet before commencing installation.
- Do install each fan with a double pole isolating switch with a contact gap of 3mm in each pole.
- Do make sure the mains supply is switched off before attempting to make electrical connections or carry out any maintenance or cleaning
- Don't install this fan in any window/panel which is less than 4mm thick.

Guarantee

Customers outside UK - see international below.

- UK: The fan is guaranteed against defects for 3 years from the date of purchase.
- Please keep your purchase receipt.
- If you have any problems, contact Xpelair's Head Office at the address shown below.

Technical advice and service

Customers outside UK - see international below.

- UK: Xpelair have a comprehensive range of services including:
 - Free technical advice help-desk from Engineers on all aspects of ventilation.
 - Free design service, quotations and site surveys.
 - Service and maintenance contracts to suit all requirements.

Please ask for details:

- By telephone on Techline: +44 (0) 8709 000430
- By fax on Techfax: +44 (0) 8709 000530
- At the address below

Head Office, UK Sales Office and Spares

Applied Energy Products Ltd, Morley Way, Peterborough, PE2 9JJ England

Telephone: +44 (0) 1733 456789

Fax: +44 (0) 1733 310606

Sales/Spares Hotline: +44 (0) 8709 000420

Sales/Spares Faxline: +44 (0) 8709 000520

<http://www.xpelair.co.uk>

International

- Guarantee: Contact your local distributor or Xpelair direct for details.
- Technical Advice and Service: Contact your local Xpelair distributor.



FM02118 ISO 9001: 2000

applied energy



Part No. 567202501
(Revision C)